

Ergonomic designed Stereo Microscope Nikon SMZ800N



- **Highest-in-class zoom ratio from 10x - 80x**
- **Expandable with a wide range of accessories**
- **Eyepiece tubes with various inclination angles and slim-type**
- **High-level chromatic aberration correction provides sharp images throughout the viewfield.**

Ergonomic designed Stereo Microscope Nikon SMZ800N



Zoom 8:1, Standard zoom from 10x to 80x

The SMZ800N comes with a 1 – 8x zoom range, with higher magnification than conventional models and enables high resolution observation of 640LP/mm (using ED Plan Apo 2x/WF at maximum zoom).

Incredible sharpness throughout a wide magnification range

These versatile stereo microscopes provide both excellent optical performance, such as high-magnification, high-zoomratio and high-resolution images, and advanced operability. The expandability of parallel optics makes these models suitable for a wide range of applications.

SMZ800N with the compact Ryf Ergo-Tilting tube, the compact C-PS Stand and the Ryf NKL12c illuminator

Tubes / Eye-level Riser / Ergo-Tilting tubes

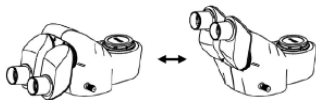
Various ergonomic tubes with different inclination angles enable suitable eye levels to be selected for observation, even when an intermediate tube or illuminator is attached. Trinocular tubes are also equipped with camera ports.



P-B: 20° inclination angle allows observation without having to lean forward and reduces fatigue during long-time operations. Ryf-SAPno. MNB52110



P-RERG Ryf Ergo Tilting Tube Allows continuous adjustment of the eyepiece inclination from 10°-50°. Ryf-SAP no.MNB53R40



P-TERG100/P-TERG50 Trinocular Tilting Tube allows continuous adjustment of the eyepiece inclination from 0° to 30°. Optical path switching ratio of eyepiece: camera port is 100:0/0:100 with P-TERG100 and 100:0/50:50 with P-TERG50. (50:50)Ryf-SAP no.MNB53540

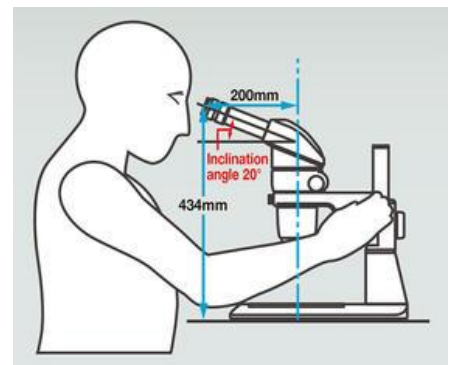


P-TL100 Trinocular Tube 15° of inclination angle allows observation with comfortable posture even when using a thick stand or intermediate tube. Optical path switching ratio of eyepiece: camera port is 100:0/0:100 Ryf-SAP no. MNB53550



P-IER Eye-level Riser Increases the eyepoint height 25 mm per riser for a total of 50 mm.

Eyepiece tubes with a range of inclination angles are available for comfortable observation. They offer the optimum eyelevel to suit each user. In addition, slim-type plain stands and the LED Diascopic Illumination Stand easily facilitate the presentation and removal of specimens.



Ergonomic designed Stereo Microscope Nikon SMZ800N



High-quality images...

Apochromat optics and semi-apochromat optics have been adopted for the lenses in the SMZ800N zoom body to achieve high-level chromatic aberration correction. They provide sharp images without blur or color fringe.



The mostly sold C-PS standard Plain Stand at Ryf Ltd. (wide base or compact) with focus for the SMZ800N (for more details refer on page 4)

With the LED Diascopic Illumination Stand and Fiber Diascopic Illumination Stand, focus control during observation is possible using the dial in front of the base.



- 1) ED Plan 0.5x = 5x - 40x*
- 2) ED Plan 0.75x = 7.5x - 60x*
- 3) ED Plan 1x = 10x - 80x*

The newly developed WF series objectives offer uniformly bright images even at low magnification and wide view field observation. In addition, a 0.75x objective is now available, expanding the lineup of low magnification objectives. (the ED Plan objectives are the less expensive standard objectives).

- 1) Plan Apo 0.5x /WF 5x - 40x*
- 2) Plan Apo 0.75x /WF 7.5x - 60x*
- 3) Plan Apo 1x /WF 10x - 80x*
- 4) ED Plan 1.5x/WF 15x - 120x*
- 5) ED Plan 2x/WF 20x - 160x*
(*with 10x eyepieces)

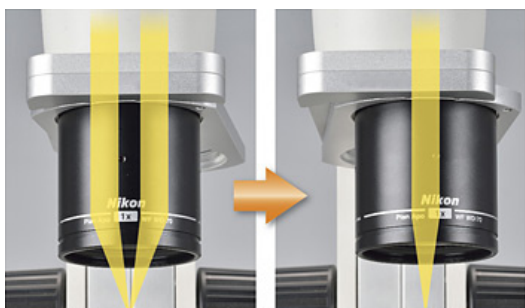


On-axis observation with the nosepiece

The double nosepiece offers easy on-axis imaging, enabling observation of the bottom of holes, accurate simple measurement and extended depth of focus (EDF) imaging without distortion.

P-RN2 Nosepiece

Observations with wider zoom ranges are possible by simply switching between two objectives
Ryf-SAP no. MNP51620

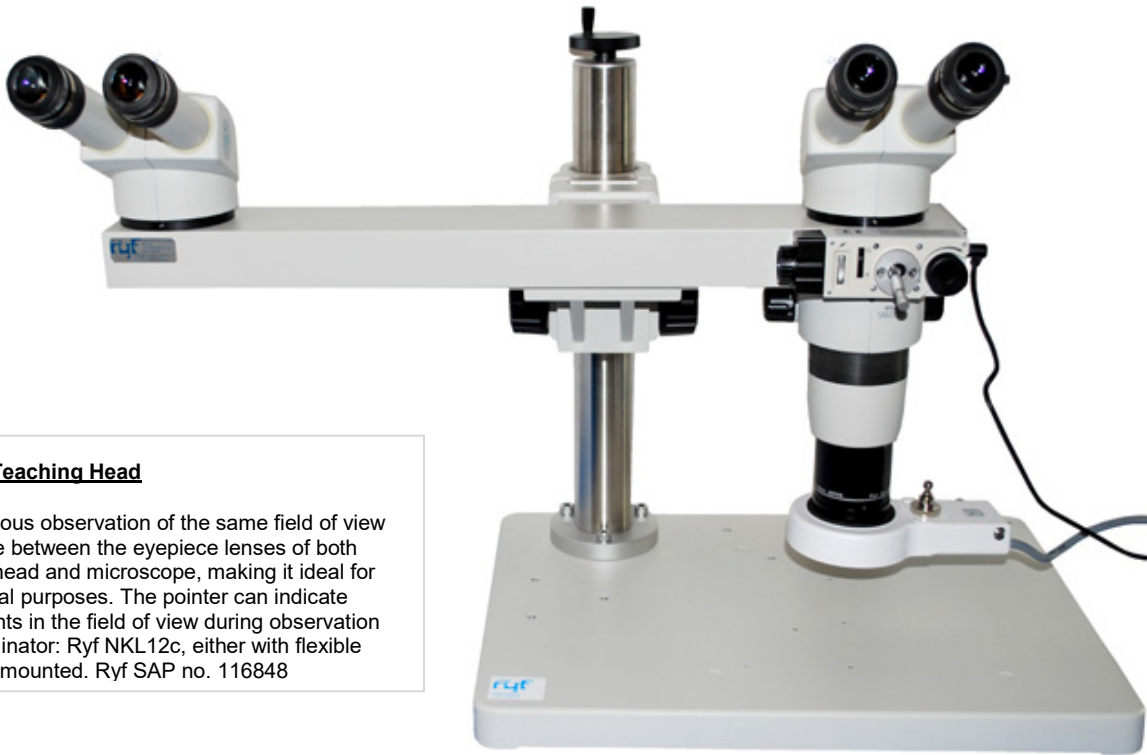


RYF AG
Showroom
Bettlachstrasse 2
CH-2540 Grenchen
Tel +41 32 654 21 00
Fax +41 32 654 21 09

RYF SA
Showroom, Sales Office
Route de Genève 9c
1291 Commugny
Tél +41 22 776 82 28
Fax +41 22 776 82 29

RYF AG (Zürich)
Sales Office
Bahnhofstrasse 17
8400 Winterthur
Tel +41 52 560 22 25
Fax +41 52 560 21 0

Ergonomic designed Stereo Microscope Nikon SMZ800N



P-THSS Teaching Head

Simultaneous observation of the same field of view is possible between the eyepiece lenses of both teaching head and microscope, making it ideal for educational purposes. The pointer can indicate target points in the field of view during observation
Ring-Illuminator: Ryf NKL12c, either with flexible arm or fix mounted. Ryf SAP no. 116848

SMZ800N with C-PSN Plain Stand/CN, C-PSCN Compact Stand/CN:

Offers a comfortable work area and allows easy handling of samples. C-PSCN has a small base that saves desk space

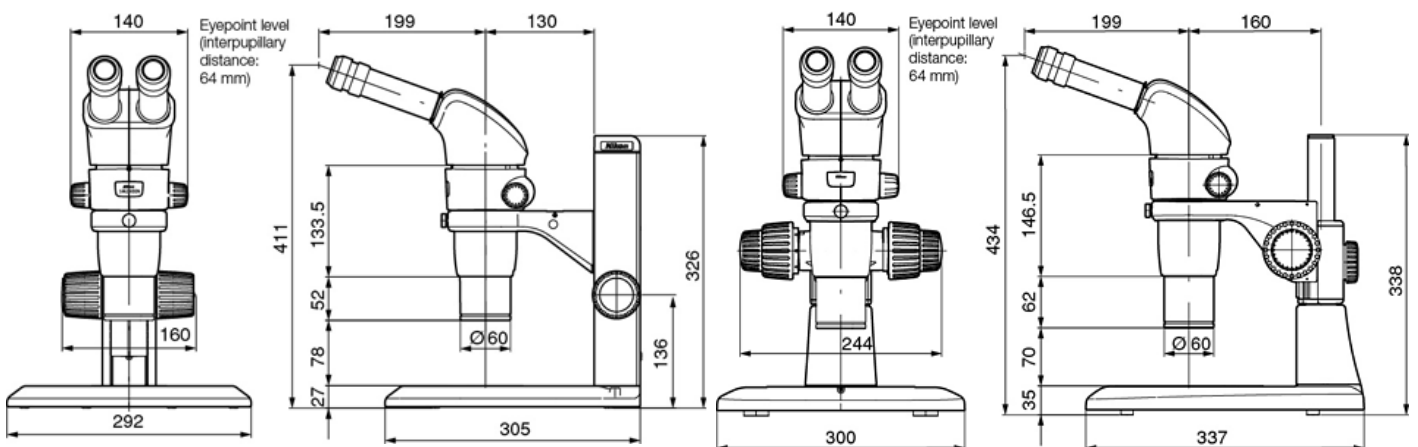
Ryf- SAP no. MMD31000

C-LEDS Hybrid LED Stand (Ryf SAP MMD23500: Both episcopic and diascope observations are possible and can be conducted simultaneously. The space-saving built-in illuminator can be switched and adjusted with ease.

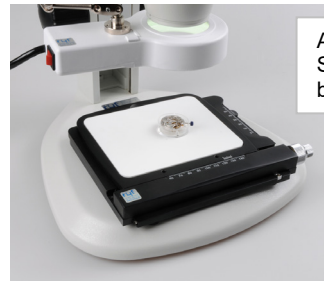
SMZ800N with bigger P-PS32 Plain Stand:

Features a slim design with a $\varnothing 180$ mm stage plate and 160 mm width between the pillar and optical axis to boost working efficiency. (+column length: 260mm/SAP 235180, 400mm/SAP MND43020 & 600mm)

Plain Stand Ryf- SAP no. MMD51030 & MND54000



Option with a high end Nikon or Prior X-Y Stage for ex. with QC200 /new QC3000 or DRO (also for Sticking panoramic applications).



Additional simple X-Y Stage Ryf STK-1 for moving samples (no bolting/screwing necessary).