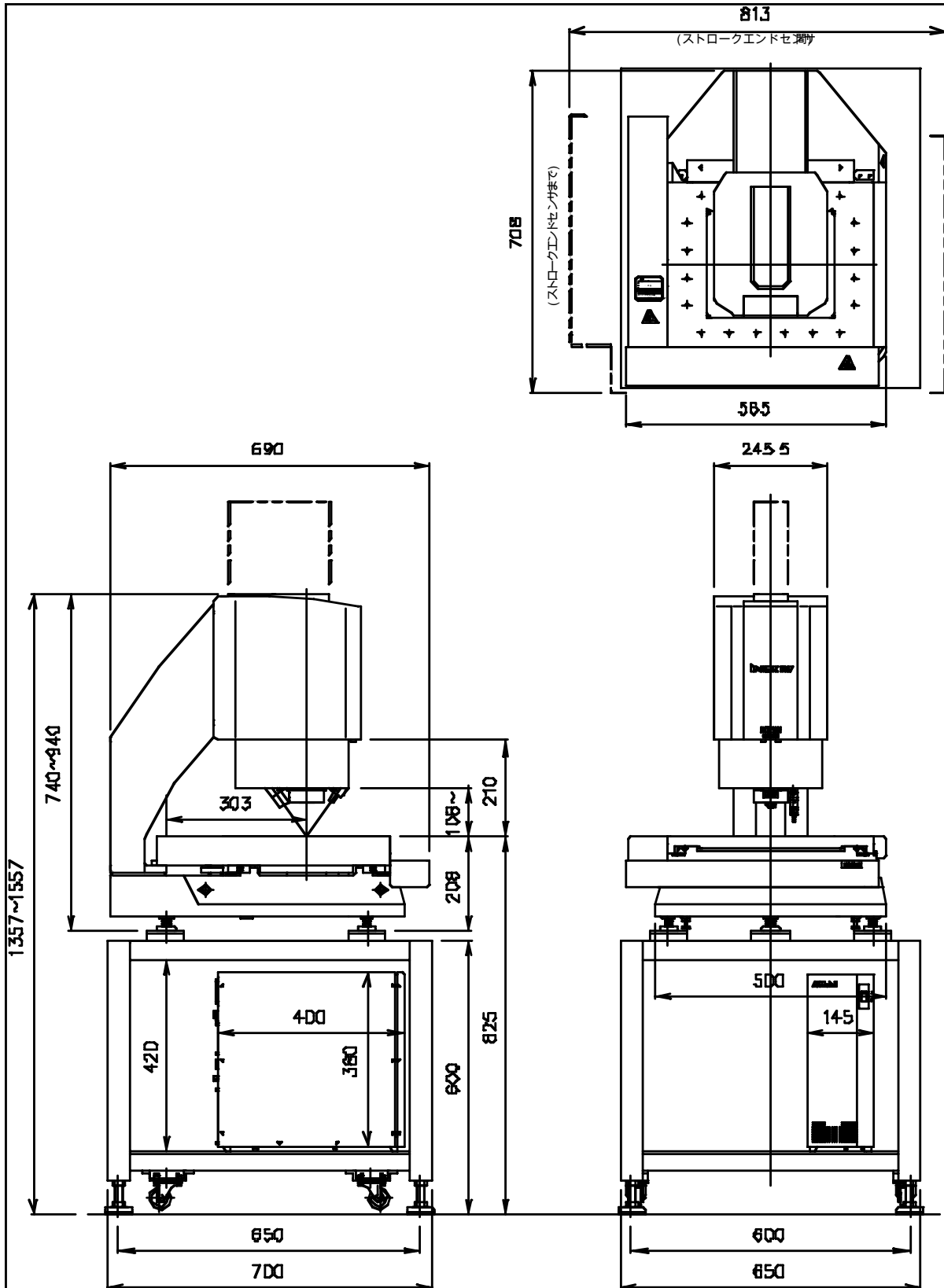


NEXIV CNC Measuring System VMA-2520



NEXIV CNC Measuring System VMA-2520

