



KL 2500 LED

- All KL 1500 LED basic functions like wide range power supply, continuous dimming from 0 to 100% and filter slider with two positions
- 1.000 Lumens output at light guide end (light guides with active diameter of 9 mm)
- PC controllable via USB
- Connection for foot switch and remote control
- Intensity control at three sensitivities (fine, standard and coarse tuning)
- LCD display indicates brightness setting, operation mode, or error code
- Electronic shutter function
- **Approvals:**
The KL 2500 LED is in compliance with the CE regulations (power supply CE, UL, PSE)
- Manufactured in the EU

KL 2500 LED

Highest performance for superior demand

The KL 2500 LED is the performance leader in cold light sources from SCHOTT with a LED light engine. Due to its high light output and special features it complies with advanced requirements in life science and industrial applications of Stereo Microscopy and Macroscopy.

The brightness is equivalent to a 250-Watt halogene cold light source.

All advantages of LED light sources,

- no bulb changing
 - low energy consumption
 - ripple free DC illumination
 - white light (daylight)
 - no visible color temperature shift on dimming
- are combined with the main advantages of fiber optics,
- very high light intensity focused on a small field of view
 - high flexibility of light and illumination techniques
- for an outstanding price-performance ratio.

KL 2500 LED

General data

Part-No.	250 400	
Dimensions (W x D x H)	(mm)/(inch)	231 x 114 x 137/9.1" x 4.5" x 5.4"
Weight	(kg)	Approx. 2.45
Cooling	Silent fan	

Electrical data

Operating voltage, frequency	90 – 264 V ~, 47 – 63 Hz	
Input voltage	(V)	24 V
Power consumption	(VA)	Max. 80
Protection class	II	
Overvoltage category	II	
Diodes	Osram Ostar Compact	
LED power rating	(W)	9 x 7
Average LED life time	(h)	50.000

Illumination data

Luminous flux	(lm)	1.000
Color temperature	(K)	Approx. 5.600
Light control	Electrical	
Active light guide diameter	(mm)/(inch)	Max. 9/Max. 0.35"

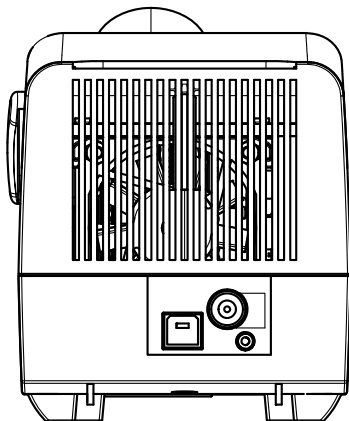
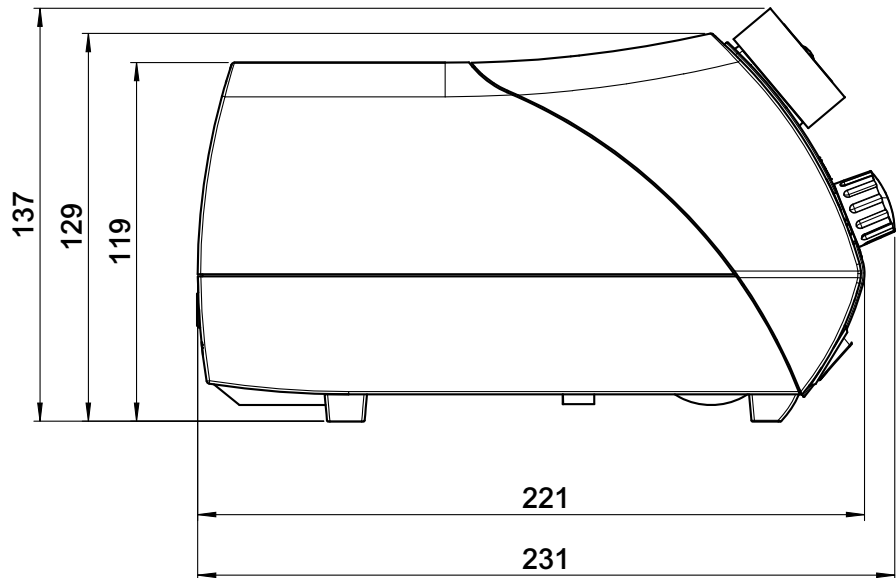
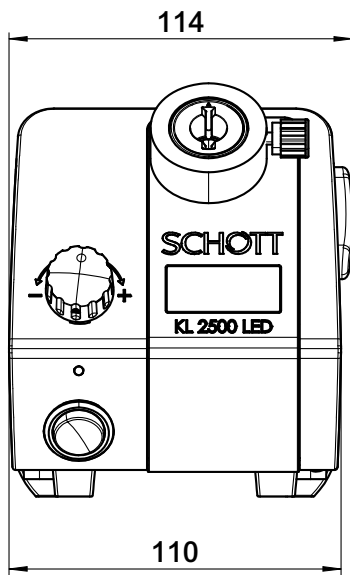
Certification marks

Approvals	CE (power supply CE, UL, PSE)
EMV-class	B

Note: country specific power cord must be ordered separately!

Product improvements may result in specification or feature changes without notice.

KL 2500 LED



ryf ag
ryf
microscopes · metrology · imaging

Ryf AG
Bettlachstrasse 2 · 2540 Grenchen
t 032 654 21 00 · f 032 654 21 09
www.ryfag.ch

SCHOTT
glass made of ideas