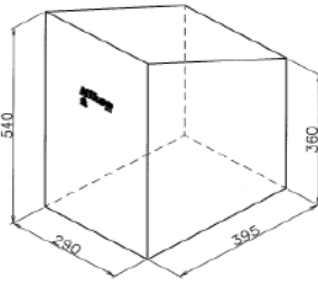
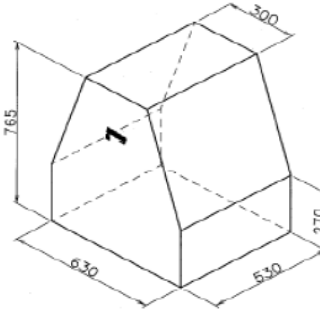


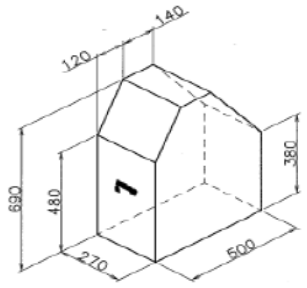
MXA22060
(Type102)



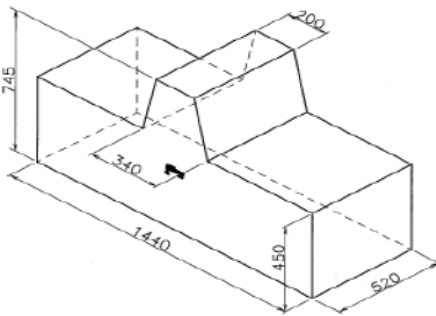
MXA22061
(Type104)



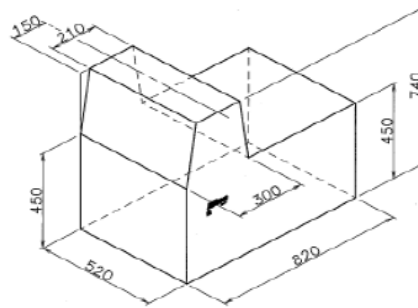
MXA22062
(Type108)



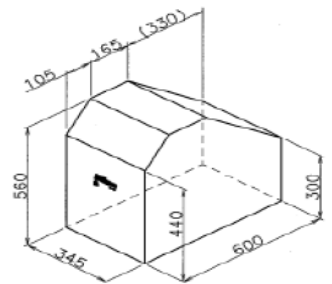
MXA22063
(Type115)



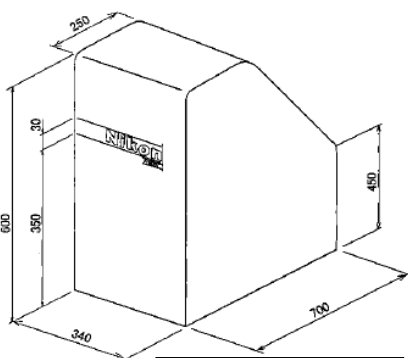
MXA22064
(Type116)



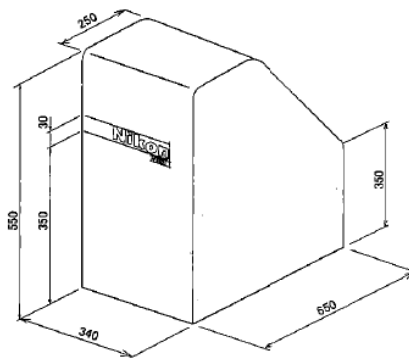
MXA22065
(Type117)



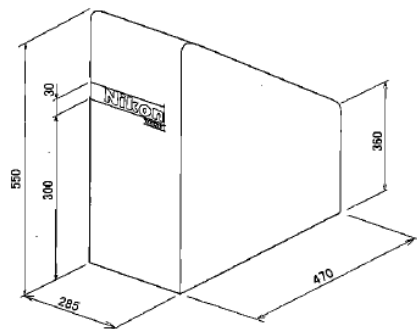
MXA22066
(Type120)



MXA22049 H600L



MXA22048 H550L



MXA22047 H550S



Dust Cover for Microscops Nikon /Olympus...

Item code	TYPE NO.	DESCRIPTION	SIZE L x W x H (mm)
MXA22060 or Ryf 234010*	102	SMZ445/460, SMZ2/5, SMZ-1, SF10, SD30	220 x 210 x 360
MXA22061 or Ryf 234020*	104	SMZ1270/1270i, SMZ800N, SMZ745/ SMZ745T SMZ645, SMZ660, SZ51, SZ61, SZ3045, SZX7	390 x 285 x 550
MXA22062	108	For TME300/200	630 x 500 x 750
MXA22063 Or Ryf 234025*	115	SMZ18 / SMZ25 / SZX9, SZX10, SZX12, SZX16 for Optiphot0100S + Camera	500 x 270 x 680
MXA22064	116	For Teaching Head System	1,400 x 500 x 740
MXA22065	117	For TME300U	820 x 500 x 740
MXA22066	120	Mainly for LV Series, BX41, BX51	600 x 340 x 560
MXA22047 or Ryf 234030*	H550S	For 50i /55i basic set, 50i Pol, BX Series AZ100/ M without Lamphouse HMX-4B	470 x 285 x 550
MXA22048	H550L	For 80i/90i basic set	650 x 340 x 550
MXA22049 or Ryf 234035*	H600L	For 50i /55i with J-FL Epi-Fluorescence Attahment 80i with Digital Imaging Head LV100Pol AZ100/ M with Lamphouse HMX-4B	700 x 340 x 600

*Please refer to the high quality Ryf Swiss Made dust cover brochure / fits most known Brands and Types, like Nikon, Zeiss, Olympus, Leica, Optika, Motic and Ryeco.

