

ryf ag



Ryf AG
Bettlachstrasse 2
2540 Grenchen
tel 032 654 21 00
fax 032 654 21 09

www.ryfag.ch



PROGRES GRYPHAX[®] PROKYON



Technical data

Explore the micro universe
with the flagship.

KEY FACTS

- True color microscope camera 20.7 | 9.2 | 2.3 MPix
- 60 fps at 2.3 MPix
- Pixel size 5.86 x 5.86 µm
- Dynamic range 73.3 dB
- 1/1.2" SONY sensor (back-illuminated)
- Global shutter
- Software included

SYSTEM REQUIREMENTS

Personal computer	Intel i7 (Quad-Core) processor or comparable / 8 GB RAM
Operating system	WIN 7 / 8 / 10 MAC El Capitan LINUX Ubuntu 14.04 LTS
Data interface	USB 3.0 integrated, no extra power supply needed
Monitor resolution	3840 x 2160 pixel or higher
Software (included in the package)	PROGRES GRYPHAX [®] (64 bit operating systems only)

IMAGE SENSOR

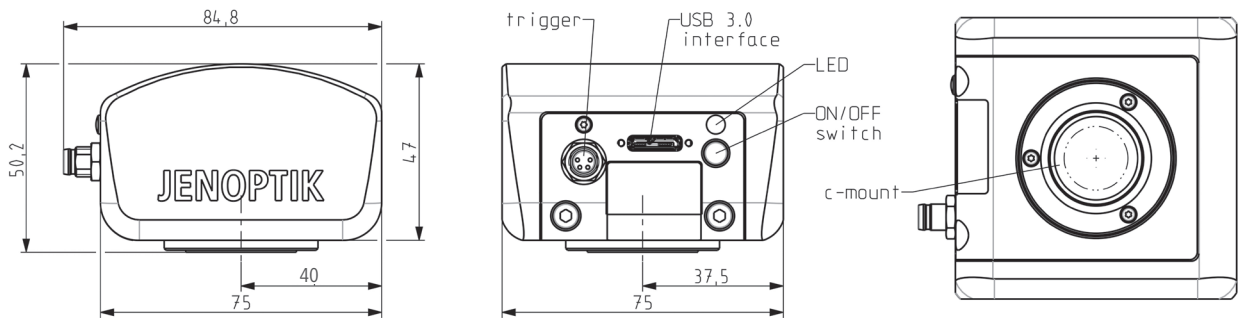
Type square utilised sensor diagonal	SONY back-illuminated CMOS 1/1.2" 13.27 mm
Pixel dimensions	5.86 x 5.86 µm
Color or monochrome	Color (measured)
Transfer method shutter mode	All pixel scan Global shutter
Full sensor resolution	1920 x 1200 pixel

CAMERA

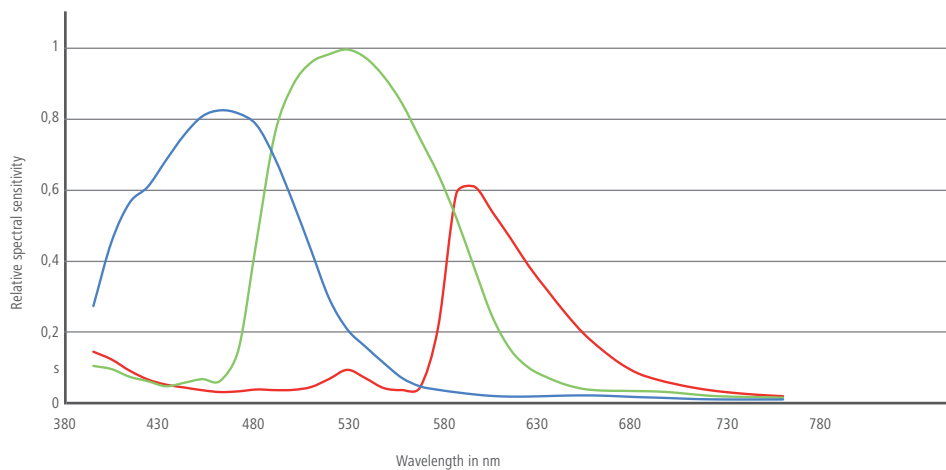
Camera resolution in LIVE mode	1920 x 1200 pixel (60 fps)
Camera resolution in RECORD mode	1920 x 1200 pixel 3840 x 2400 pixel 5760 x 3600 pixel
Camera resolution in VIDEO mode	1920 x 1080 pixel up to 60 fps
Exposure time min. - max.	26 µs - 60 s
Gain	Max. 30
A/D conversion	12 bit (4096 grey values)
Absolute sensitivity threshold*	7.0 e-
Saturation capacity*	32.000 e-
Dynamic range*	73.3 dB

*based on EMVA 1288 standard compliance guidelines

Filter	IR cut optional clear-glass
Hardware trigger	OUT
Power switch	Yes
Optical interface	C-mount
Power consumption	Appr. 4.5 W
Dimensions	85 mm x 75 mm x 50 mm
Weight	Appr. 420 g
Storage options	-20°C up to +70°C
Operating temperature	+10°C up to +35°C non condensing
Warranty	24 months
CE conformity / RoHS conformity	Yes



MEASURED RELATIVE SPECTRAL SENSITIVITY*:



PROGRES GRYPHAX® PROKYON IS AN PREMIUM SOLUTION FOR:

- Life science
- Quality control
- Material science
- Forensics

*based on EMVA 1288 standard compliance guidelines / effective spectral sensitivity on request