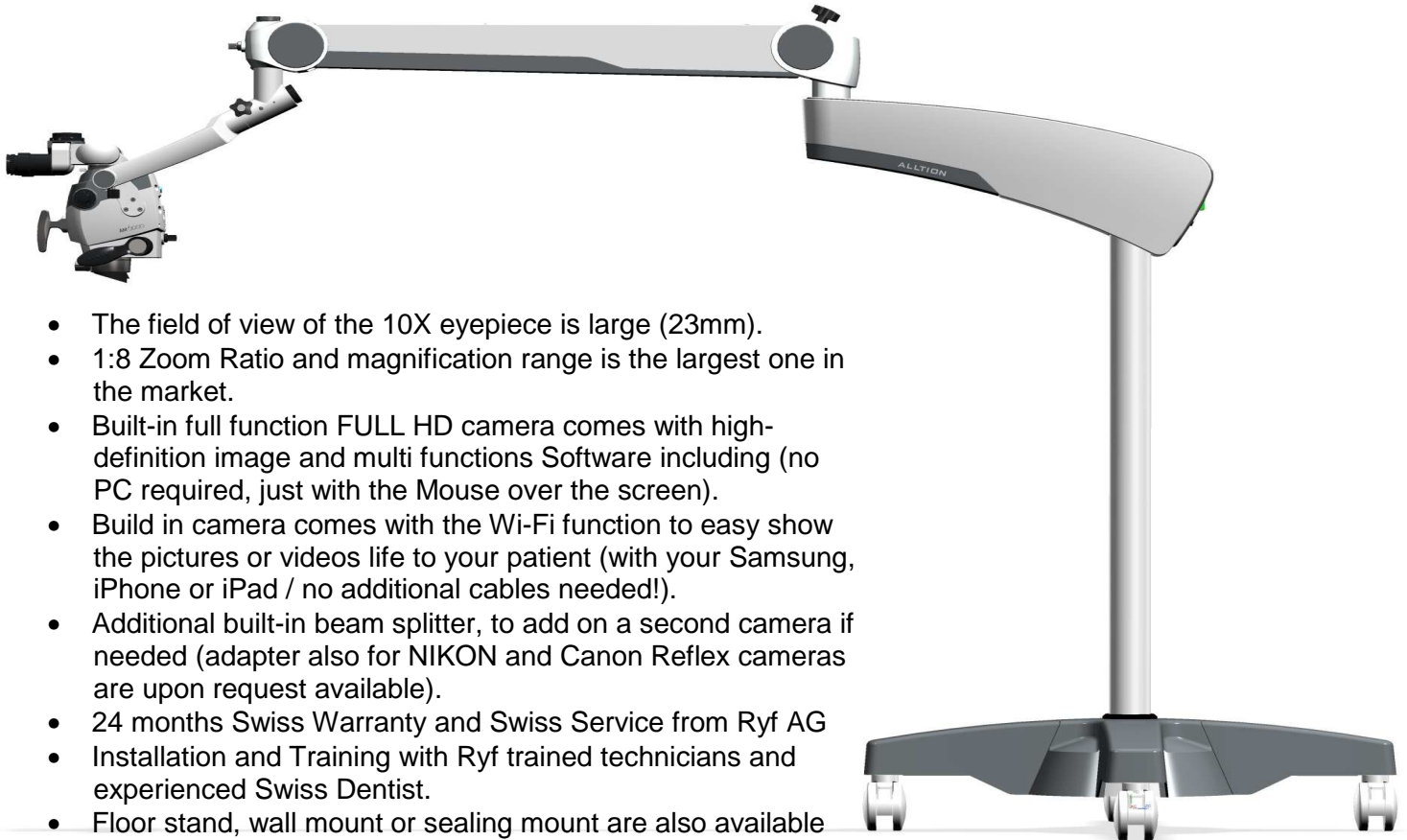


Ryeco Dental AM-6000 Surgical Dental Microscope



Ryeco Dental AM-6000 Surgical Dental Microscope



- The field of view of the 10X eyepiece is large (23mm).
- 1:8 Zoom Ratio and magnification range is the largest one in the market.
- Built-in full function FULL HD camera comes with high-definition image and multi functions Software including (no PC required, just with the Mouse over the screen).
- Build in camera comes with the Wi-Fi function to easy show the pictures or videos live to your patient (with your Samsung, iPhone or iPad / no additional cables needed!).
- Additional built-in beam splitter, to add on a second camera if needed (adapter also for NIKON and Canon Reflex cameras are upon request available).
- 24 months Swiss Warranty and Swiss Service from Ryf AG
- Installation and Training with Ryf trained technicians and experienced Swiss Dentist.
- Floor stand, wall mount or sealing mount are also available (including mounting and bolting by Ryf AG).

23mm eyepieces for large field of view

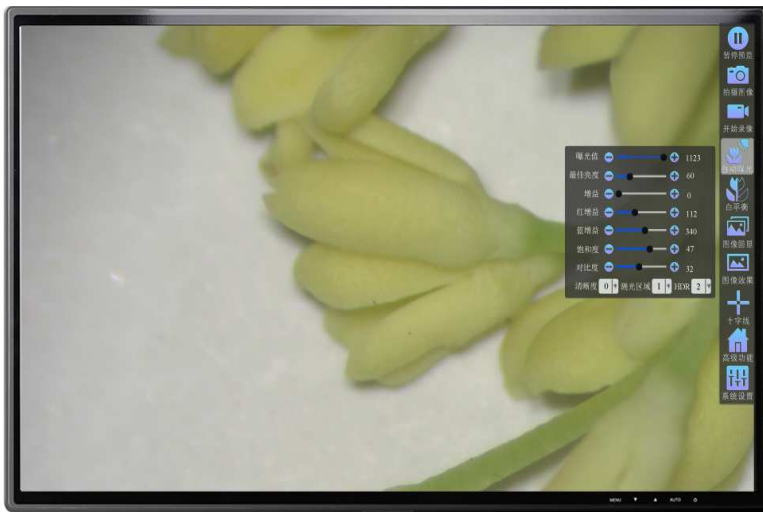
Perfect adapted for Dentists: easy to find the 3D stereo view. Very comfortable view due to the extremely large field of view.



Ryeco Dental AM-6000 Surgical Dental Microscope



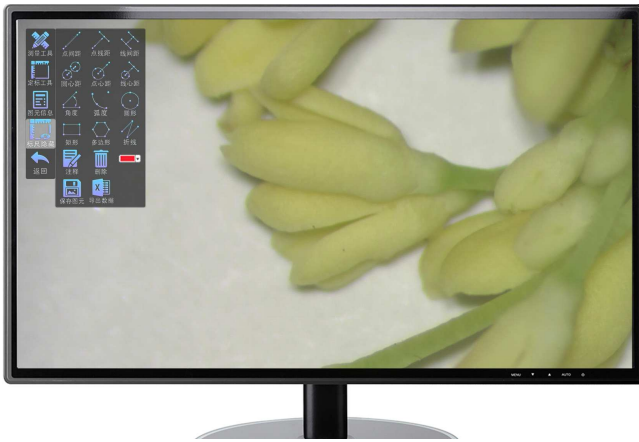
Built-in 1080P Full Function Wi-Fi camera



Full HD built-in Wi-Fi camera

Featuring high contrast live images, images and videos....

Ryeco Dental AM-6000 Surgical Dental Microscope



Built-in camera with: Measurements and marking features, for recording still images as well as videos

Wireless foot pedal



Mouse included



Handgrip button



Built-in beam splitter:

To connect an assistant scope or a second camera....

1:8 high resolution zoom lens (continuous):

- Total magnification from 3.4X to 27.7X
- Low ratio for adjusting the view (or oral repair operation),
- Medium ratio for clinical operation (dental pulp operation),
- High magnification examination.
- From low to high switching continually



Ryeco Dental AM-6000 Surgical Dental Microscope

Handgrips 360 ° rotatable:

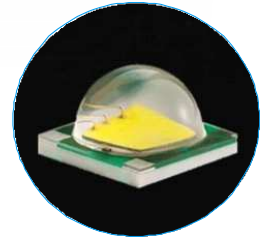
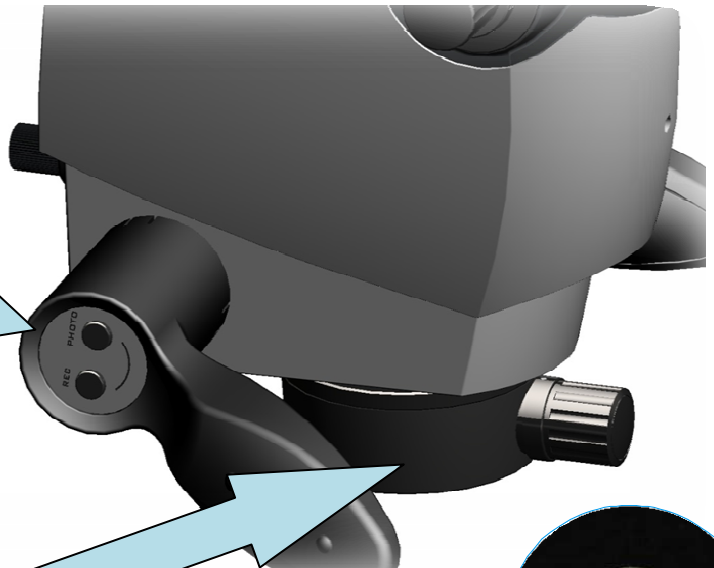
May be pulled out and rotate to any desired direction (very convenient for the Dentist)

Handling softly:

Ergonomic design like the shape of the hand

Sterilization:

The handgrips could be pulled out to be sterilized, no need to be covered by sleeves in use.



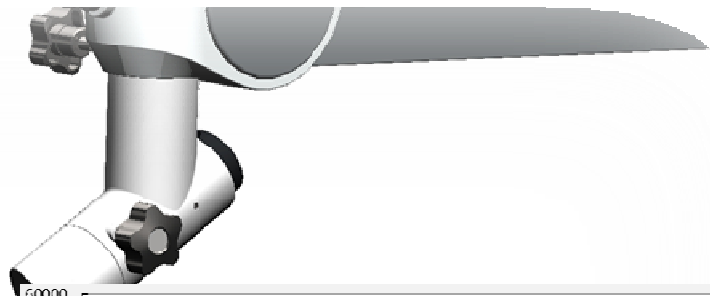
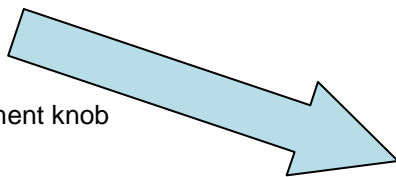
Six types of objective lenses:

- F200 objective lens
- F250 objective lens
- F300 objective lens
- F350 objective lens
- F400 objective lens
- F200~300 variable objective lens

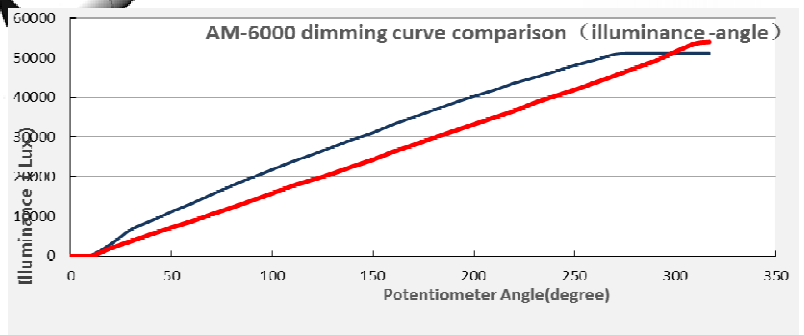
Excellent build in LED illuminating design:

- Heat management design to ensure the maximum life time of the LED lamp
- The life time of LED lamp is over 60,000 hours
- Daylight color temperature (close to the sunlight = 5700°K)
- Over 85% color rendering index, the color of the observed object is extremely realistic

Brightness adjustment knob



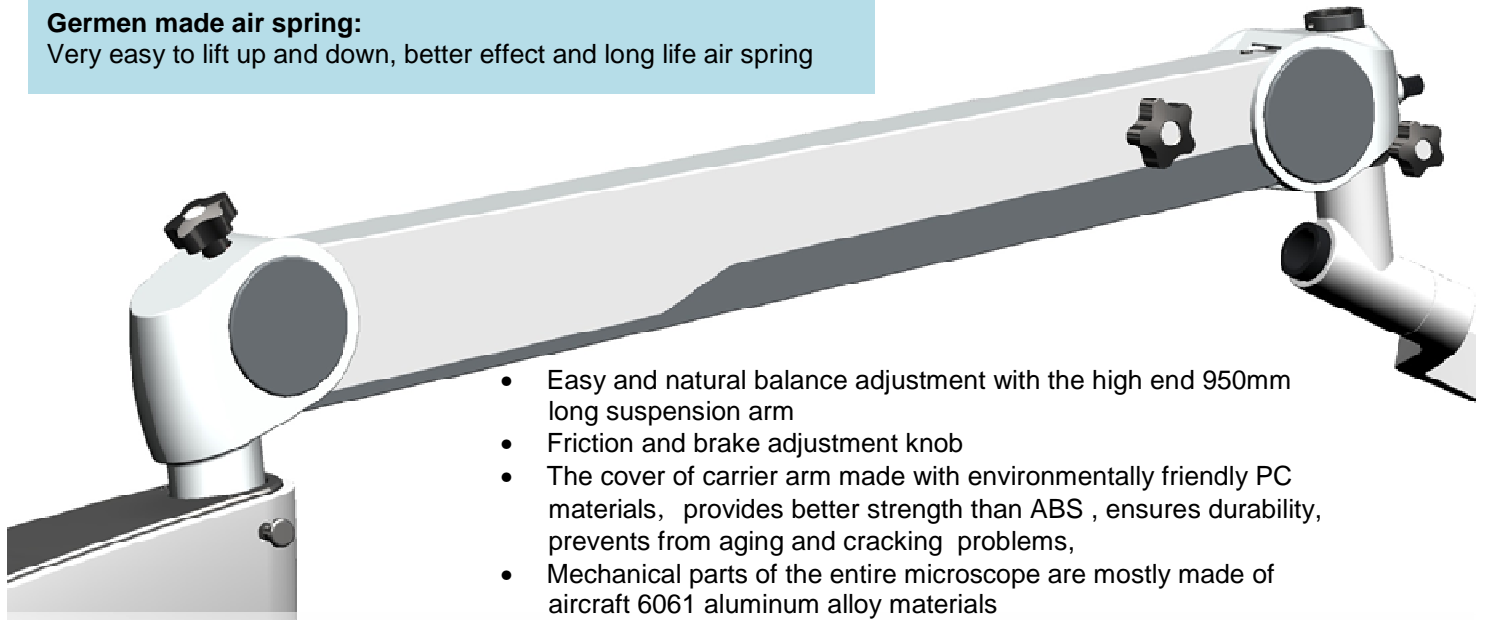
Patented Linear dimming:
Excellent dimming linearity keeps the illumination even at very low brightness.



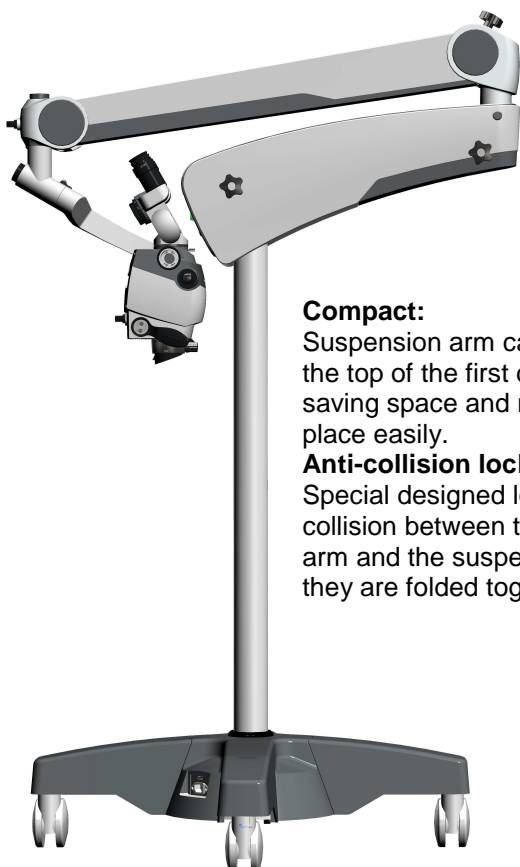
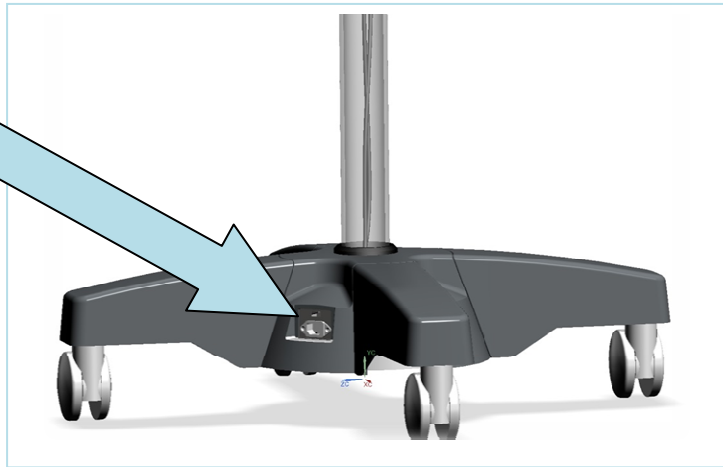
Ryeco Dental AM-6000 Surgical Dental Microscope

German made air spring:

Very easy to lift up and down, better effect and long life air spring



- Easy and natural balance adjustment with the high end 950mm long suspension arm
- Friction and brake adjustment knob
- The cover of carrier arm made with environmentally friendly PC materials, provides better strength than ABS, ensures durability, prevents from aging and cracking problems,
- Mechanical parts of the entire microscope are mostly made of aircraft 6061 aluminum alloy materials
- Power cable and HDMI cable are integrated in the stand column and their socket is mounted the stand base.



Compact:

Suspension arm can be folded on the top of the first carrier arm for saving space and moving to any place easily.

Anti-collision locking pin:

Special designed lock to avoid collision between the first carrier arm and the suspension arm when they are folded together



Ryeco Dental AM-6000 Surgical Dental Microscope

Description		Type	AM-6000					
Microscopes	Eye-piece Ratio		10X	12.5X				
	Eye-piece Field		23mm	21mm				
	Zoom System		manual zoom ratio, 1:8					
	Binocular		0-180° adjustable binocular					
	Range of Pupillary distance		50mm-75mm					
	Objective Lens			Objective lens 250mm(200mm/300mm/350mm/400mm are optional)				
				Variable objective lens ,working distance:200mm-300mm				
	Maximum Object Illumination		50,000 Lux Min					
	Beam Splitter		Built-in Beam splitter					
	Camera		Built-in FULL FUNCTION CAMERA					
Built-in FULL FUNCTION CAMERA	Sensor		1/2" SONY high-sensitivity and low-noise CMOS					
	Resolution		HD 1080P 60FPS (16:9)					
	Storage		Built-in 32G SD memory space.USB flash disk can be connected externally					
	Data Format		Picture:JPG format;Video:MP4 format					
	WIFI		With the function of external WIFI,it can transmit images					
	Video Resolution		1080P					
	Basic Function		Freeze, photograph, video recording, automatic exposure, white balance, play back and cross curve					
	Image Effect		Exposure value, best brightness, gain, red gain, blue gain, saturability, contrast ratio, definition and HDR					
	Advanced Functions		Horizontal flip, vertical flip, zoom out, zoom in, AOI and image comparison					
	System Settings		Internal/external storage, automatic/autonomous naming, Chinese/English, show/hide rulers, system update, factory reset, export and version information					
	PC Client		WINDOWS XP, WIN 7, WIN 8, WIN 10					
Mobile Client		Android system						
Main-body Size	Maximum Arm Span		1700mm					
	Height Distance		750mm-1550mm					
	Foundation Size		640mm×640mm					
Optical Parameter								
Eyepiece	Parameter	Objective lens						
		F200	F250	F300	F350	F400		
10X(φ23) Standard Configuration	Total Magnification	4~32	3.2~25.6	2.7~21.3	2.3~18.3	2~16		
	Field Dia. (mm)	60~7.5	75~9.4	89~11.3	105~13.1	120~15		
	Depth of field(mm)	49~1.9	60~2.3	71~2.6	82~3	94~3.4		
12.5X(φ21)	Total Magnification	5.0~40	4~32	3.3~26.7	2.9~22.9	2.5~20		
	Field Dia. (mm)	55~6.9	69~8.6	82~10.3	96.3~12	110~13.8		
	Depth of field(mm)	49~1.9	60~2.3	71~2.6	82~3	94~3.4		

Ryeco Dental AM-6000 Surgical Dental Microscope



One of the actual dentist In Switzerland from Ryf Ltd. using our dental operation microscopes AM-4000 and the new AM-6000: Dr. Denis Honegger and one of his AM-4000 Dental Microscope (Versoix / Geneva)

