



PROGRES *SpeedXT* core® 5

Technical data

KEY FACTS

- CCD
- 13 fps at 5 Mpix
- 2/3" sensor
- USB 2.0 interface
- 12 bit

SYSTEM REQUIREMENTS

Operating system	WIN (min. 7) coming soon: MAC and LINUX
Data interface	USB 2.0, no extra power supply needed
Software (included in the package)	PROGRES GRYPHAX®

IMAGE SENSOR

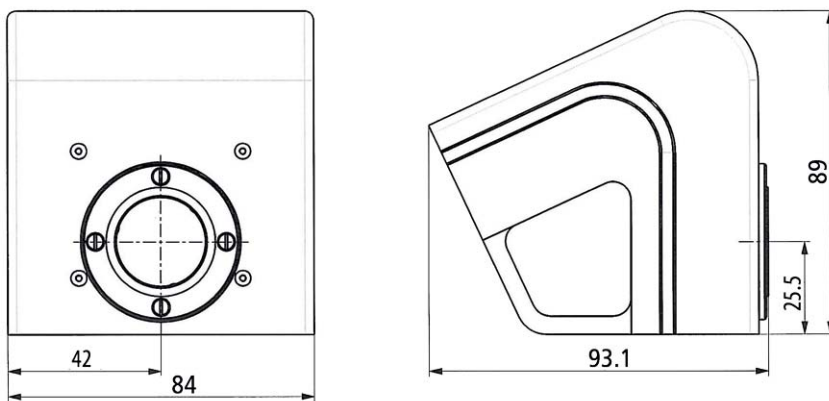
Sensor type sensor square diagonal	CCD 2/3" appr. 11 mm
Pixel dimensions	3.4 x 3.4 µm
Color or monochrome	Color
Transfer method shutter mode	Progressive scan Global shutter
Full sensor resolution	2576 x 1932 pixel

CAMERA

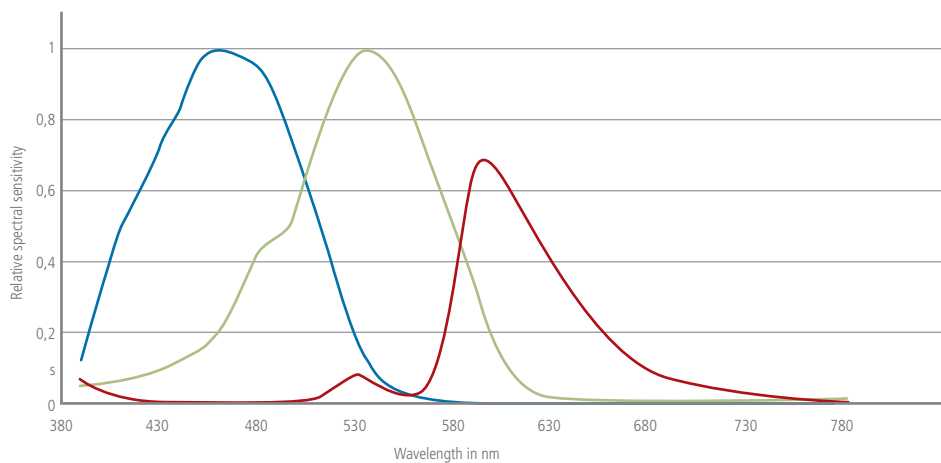
Camera resolution in LIVE mode	Full HD 1920 x 1080 pixel (15 fps) up to 2576 x 1932 pixel (13 fps)
Camera resolution in RECORD mode	Full HD 1920 x 1080 pixel up to 2576 x 1932 pixel
Exposure time min. - max.	52 µs - 10 sec.
Gain	Max. 10
A/D conversion	12 bit (4096 grey values)
Absolute sensitivity threshold*	14,5 e ⁻
Saturation capacity*	8500 e ⁻
Dynamic range*	56 dB

*based on EMVA 1288 standard compliance guidelines

Filter	IR cut I optional clear-glass
Optical interface	C-mount
Power consumption	Appr. 2.5 W
Dimensions	93 mm x 84 mm x 89 mm
Weight	Appr. 700 g
Storage options	-20°C up to +70°C
Operating temperature	+10°C up to +35°C non condensing
Warranty	24 months
CE conformity / RoHS conformity	Yes



MEASURED RELATIVE SPECTRAL SENSITIVITY*:



PROGRES SpeedXT core 5 IS AN ADVANCED SOLUTION FOR:

- Pathology
- Quality Control
- Cytology
- Micro-organism
- Mineralogy
- Biology
- Forensics
- Metallography
- Hematology
- Geology

*based on EMVA 1288 standard compliance guidelines

