

EasyLED Spotlights

Ergonomic and compact illumination system for stereo microscopy and macroscopy



Spotlight



Spotlight Plus

Features Spotlight

- High brightness power LED
- Easy adaption at goosenecks, articulating arms and microscopes
- Compact controller for continuous dimming (0 - 100 %) and separate on/off switch
- Total light flux: 40 lm

Features Spotlight Plus

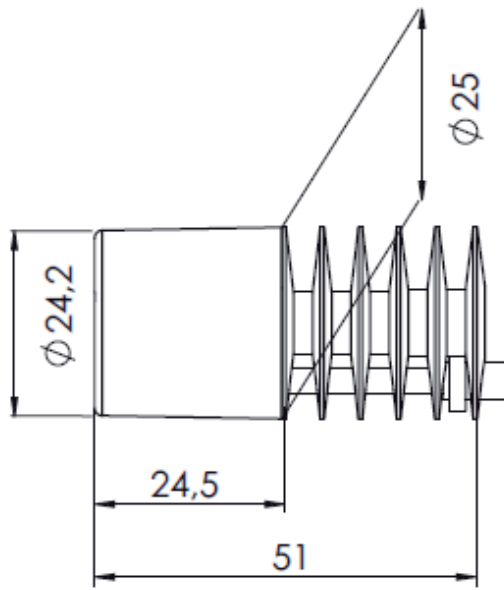
- Spotlight Plus adaptors for all stands plus stand-alone version available
- Double Spotlight Plus with switching feature: LED head 1 ON, LED head 2 A, both LED heads ON, both LED heads off, etc.
- Max. light flux: 130 lm each spot

| Spotlights | Part.No. | Front lens | Max. light flux | Adaption thread | Power Supply |
|------------------------------|----------|-------------------|-----------------|-----------------|--------------|
| Spotlight | 600 100 | 17 mm (0.67") | 40 lm | M6 | 5 V, DC |
| Double Spotlight | 600 120 | 2 x 17 mm (0.67") | 2 x 40 lm | 2 x M6 | 5 V, DC |
| Spotlight Plus System | 600 101 | 17 mm (0.67") | 130 lm | various | 5 V, DC |
| Double Spotlight Plus System | 600 121 | 2 x 17 mm (0.67") | 2 x 130 lm | various | 5 V, DC |

Mounting Adaptors for Spotlight Plus System

| | |
|-------------------------------------|---------|
| bracket for column Ø 25 mm | 120 225 |
| bracket for column Ø 29 mm | 120 229 |
| bracket for column Ø 32 mm | 120 232 |
| bracket for column Ø 35 mm | 120 235 |
| Base for stand-alone application | 158 340 |
| Bracket for stand-alone application | 120 250 |

EasyLED Spotlights



EasyLED Spotlight Plus and Spotlight Plus

All specifications are subject to change without prior notice. This datasheet or any extracts thereof may only be used in other publications with express permission of SCHOTT. © SCHOTT AG

ryf ag  Ryf AG
Bettlachstrasse 2
2540 Grenchen
tel 032 654 21 00
fax 032 654 21 09
www.ryfag.ch

SCHOTT
glass made of ideas