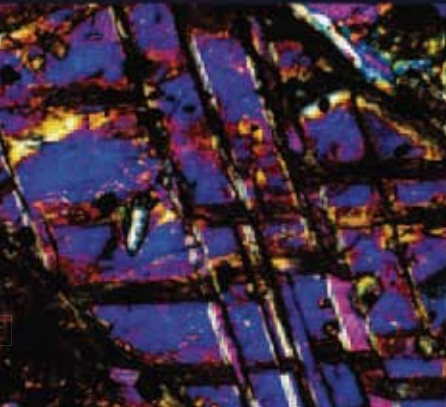
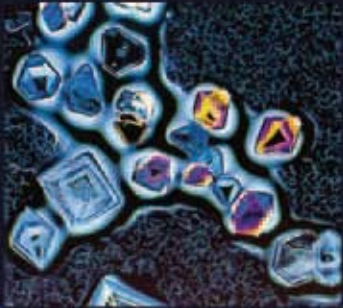




ryf ag
ryf
Ryf AG
Bettlachstrasse 2
2540 Grenchen
tel. 032 654 21 00
fax 032 654 21 09
www.ryfag.ch

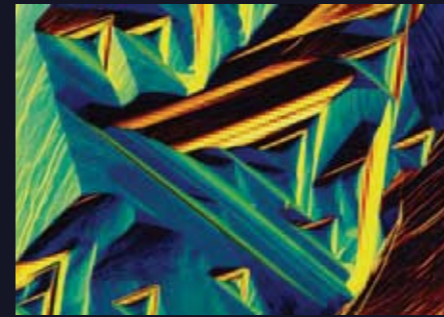


Polarizing Microscopes
ECLIPSE
LV100N POL
Ci-POL

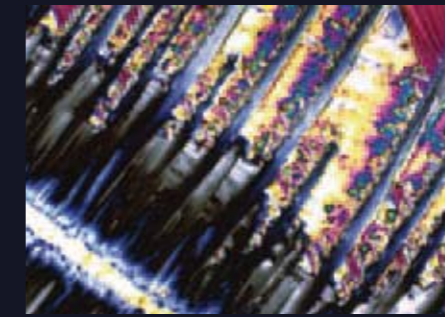


The highest level of optical quality, operability and stability for polarizing microscopy

- The low-power-consumption 50W light source is brighter than a 100W lamp, and reduces heat-induced focus drift and energy consumption.
- High-precision centerable nosepiece and stage with smooth, accurate movement. (LV100N POL only)
- 30mm long focus stroke accepts tall samples.



1



2



3



Reversed centering quintuple nosepiece

Up to five objectives can be mounted and all objective positions are centerable. The DIN-compliant compensator slot accepts various compensators for qualitative or quantitative measurements.



High-precision rotating stage

The LV100N POL stage is large, pre-adjusted, and click-stops in 45° increments. The smooth stage movement allows stable and easy rotation, providing high operability and high-quality polarized images. The underneath support for the stage table is close to the optical axis. Together with the steel cross roller guides, this provides outstanding stability and durability during regular use.



Intermediate tube

The intermediate tube incorporates a Bertrand lens as standard, enabling both the observation and capture of conoscopic and orthoscopic images. The Bertrand lens is focusable and centerable. The high precision slider-type analyzer can be rotated a full 360° with a precision vernier scale. A P-LC tint plate slider with full and quarter wave plates and an empty space is available.



Conoscopic image of mica / CFI P Achromat 40X



ECLIPSE Ci-POL
(Diascopic illumination)

ECLIPSE Ci-POL
(Diascopic/Episcopic illumination)

ECLIPSE LV100N POL
(Diascopic illumination)

ECLIPSE LV100N POL
(Diascopic/Episcopic illumination)

Objective lenses for polarizing observation

CFI P Achromat objective series (for diascopic illumination)

The unique Nikon CFI60 objectives successfully deliver longer standard working distances and high numerical apertures, offering superb image flatness, contrast and cost performance.



CFI TU Plan Fluor EPI P objective series (for diascopic/episcopic illumination)

The CFI TU Plan Fluor EPI P series—the newly developed CFI60-2 objectives—produces pin-sharp aberration-free images regardless of magnification.



Nikon CFI optics employ an eco-glass that is manufactured with no harmful substances such as lead and arsenic.

ECLIPSE LV100N POL Diascopic illumination type

Outstanding optical performance, perfect for a wide variety of imaging applications and polarizing techniques

Nikon has developed a high-intensity 50W halogen light source (with dedicated lamphouse) that provides greater brightness than a conventional 100W halogen light source. Brightness is increased by approximately 20 to 40% with objective magnifications of 50x and higher. This new light source consumes lower electrical power and generates very little heat, greatly reducing focus drift resulting from light source heat.

- Microscope body is designed to realize high robustness.
- Unique stage mount design ensures exceptional stability.
- Nosepiece comes with a DIN standard compensator slot.
- All five objective positions on the nosepiece are centerable.
- Uses CFI60 optics, realizing both high NA and longer standard working distances.
- A clamp-type upper limit focusing mechanism makes for easy, safe sample exchange, protecting both sample and optics from collision damage.

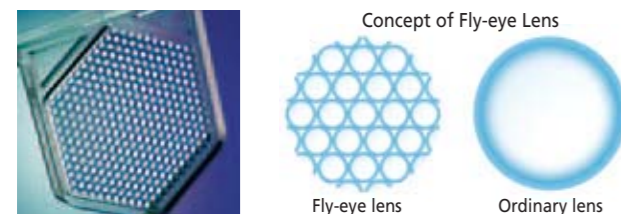
Why is 50W brighter than 100W?

Brightness is not determined by wattage. Nikon's unique light source design achieves greater brightness by optimizing the lamp filament size and improving pupil illumination fulfillment. The latter has been achieved by optically expanding the size of the light source with a mirror in the lamphouse. This has resulted in a 50W light source that is brighter than a 100W lamp—about 40% brighter with diascopic illumination*.

*With 100x objectives.

Uniform brightness with diascopic illumination

Nikon's unique fly-eye lens has been employed in the diascopic illumination optics. This enables high quality digital imaging with no variations in luminescence throughout the view field.



ECLIPSE LV100N POL Diascopic/Episcopic illumination type ECLIPSE Ci-POL Diascopic/Episcopic illumination type

Accomplishes advanced polarizing microscopy under both diascopic and episcopic illumination

Both diascopic and episcopic polarizing observations are possible by mounting the LV-UEPI-N Universal Epi-illuminator. Switching the illumination technique is a simple operation*. The epi-illuminator uses a Nikon 12V50W light source that provides brighter illumination than a 100W lamp. The noise-terminator mechanism provides sharp images with high S/N ratios by eliminating stray light. With the optional universal-type nosepiece and DIC accessories including objectives, episcopic differential interference contrast (DIC) microscopy is also possible.

* When used with the Ci-POL, LV-UEPI-N requires an external power supply.



ECLIPSE Ci-POL
(Diascopic/Episcopic illumination type)

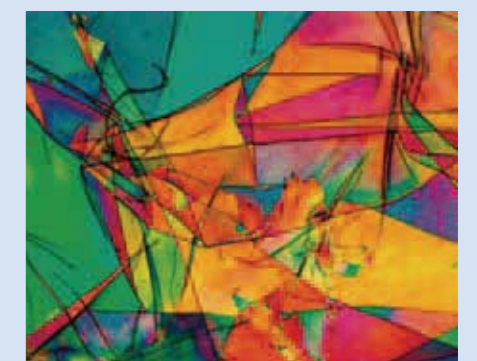
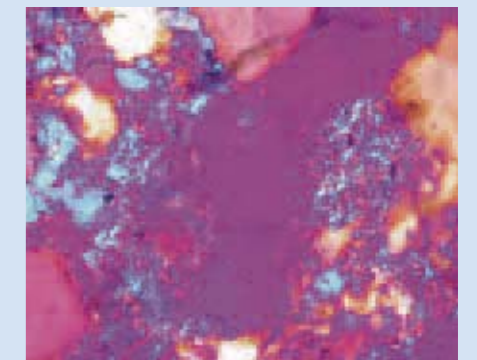
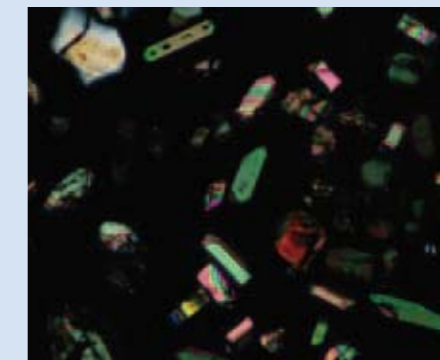
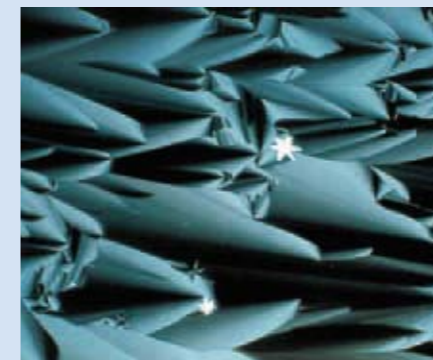


ECLIPSE LV100N POL
(Diascopic/Episcopic illumination type)

ECLIPSE Ci-POL Diascopic illumination type

A compact polarizing microscope that balances optical performance and ease of use

- Slim and compact, an excessively large working area is not necessary.
- Nosepiece uses the same DIN standard compensator slot design as LV100N POL.
- All five objective positions on the nosepiece are centerable.
- Uses CFI60 optics, realizing both high NA and long standard working distances.
- A clamp-type upper limit focusing mechanism makes for easy, safe sample exchange, protecting both sample and optics from collision damage.
- Excellent cost effective and precision manufacturing is balanced with superb basic performance for a polarizing microscope.
- Built-in capture button allows easy imaging with DS series cameras.



Optional Accessories for Polarizing Observations

Attachable mechanical stage

To improve microscopy efficiency, an attachable mechanical stage can be mounted on the rotating stage to rigidly hold and move the sample.
Cross travel: 35 x 25 mm
Min. increment: 0.1mm on the vernier



Senarmont compensator

Inserted into the intermediate tube. In addition to the standard use $1/4 \lambda$ plate and a 546nm (1λ) tint plate (1st order red plate), a Senarmont compensator is also available as an option, for retardation measurements from 0 to 1λ .



Quartz wedge compensator

Inserted into the intermediate tube, this compensator permits retardation measurements from 1 to 6 λ orders.



Berek compensator

Inserted into the nosepiece slot, this compensator permits retardation measurements from 0 to 1800 nm. Manufactured by Nichika Corporation.



IF 546/12 retardation filter

High-precision interference filter with a 546nm central wavelength and 12nm FWHM (full-width at half maximum). Used to increase the precision of retardation measurements.

Digital camera systems—Digital Sight (DS) series

You can select the most appropriate camera head and control unit to meet your specific documentation needs.

High-definition color camera head—DS-Fi2

Provides greatly improved video performance in combination with a high-definition 5-megapixel camera. The newly developed CCD control circuit offers the fast frame rate of 21 fps (Display mode: 1280 x 960 pixels). It realizes both high resolution image and clear reproduction of interference color.



High-definition cooled color camera head—DS-Fi1c

Suited to weak-light polarization samples requiring long term exposure. A built-in cooling mechanism in the 5.0-megapixel color CCD contributes to clear images with minimal heat-induced noise.



High-speed color camera head—DS-Vi1

Features a high frame rate, 2.0-megapixel color CCD. Displays SXGA live images at 15fps (29fps max.). The DS-Vi1 balances smooth live image movement and excellent reproduction of vivid interference colors.



Standalone control unit—DS-L3

Standalone control unit with an 8.4-in. large LCD monitor. The camera can be controlled with a mouse or touch panel, eliminating the necessity of a PC connection. Image acquisition settings can be easily selected using scene mode icons according to the observation method, and simple measurement of such as point-to-point distance is also possible. If required, the unit can be connected directly to a PC or to a network via Ethernet.

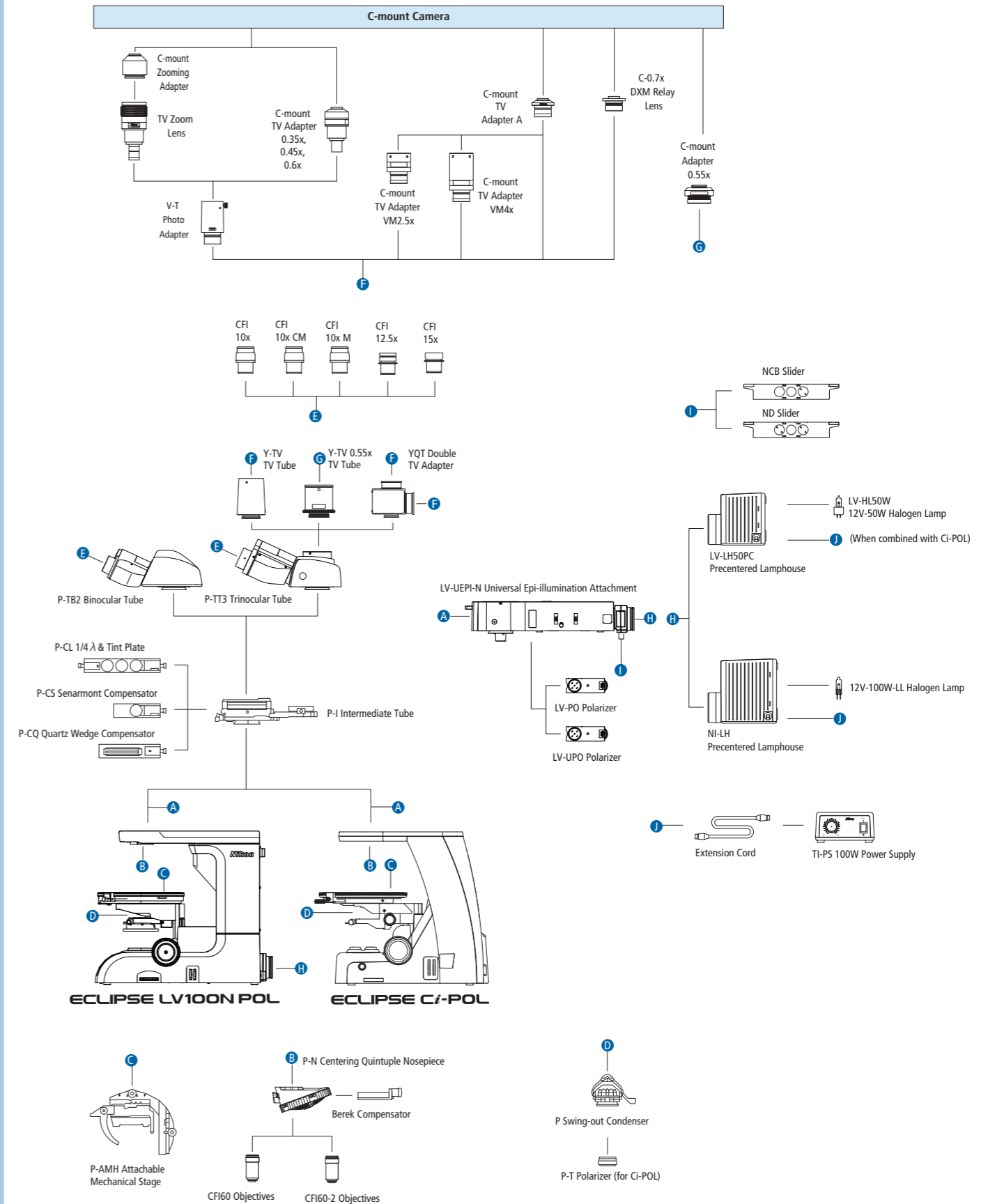


PC-use control unit—DS-U3

Control unit that allows camera control, image capture, processing, measurement, analysis, data management and report generation on a PC monitor using Nikon's imaging software NIS-Elements. High-speed image transfer to a PC is possible via IEEE1394b interface.



System Diagram

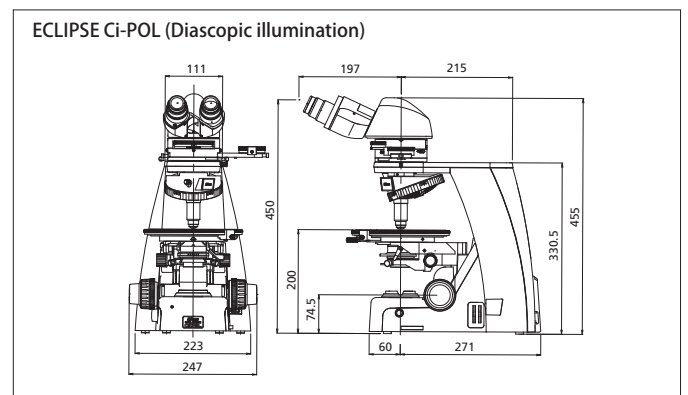
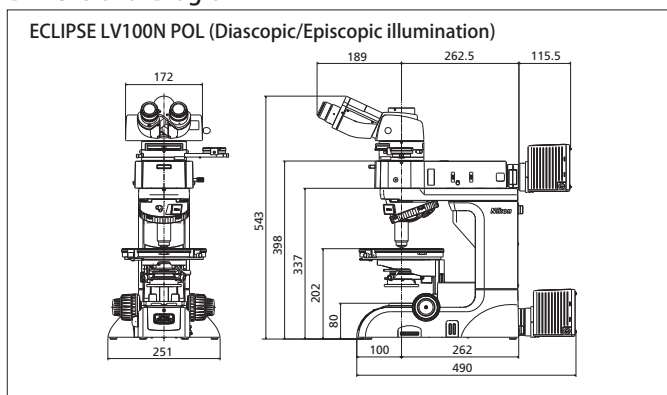


Specifications

		ECLIPSE LV100N POL	ECLIPSE Ci-POL
Main body	Optical system	CFI60 infinity	
	Illumination	12V-50W halogen lamp; 12V-50W DC transformer built-in; Diascopic/episcopic illumination changeover switch; Fly-eye lens; NCB11, ND8 filters built-in; 12V-100W type optional	6V-30W halogen lamp; 6V-30W transformer built-in; ND8, ND4 filters built-in
	Focusing	Coaxial coarse/fine focus knob; Focus stroke: 30mm; Coarse: 14mm per rotation; Fine: 0.1mm; Minimum reading: in 1µm increments	Coaxial coarse/fine focus knob; Focus stroke: 30mm; Coarse: 9.33mm per rotation; Fine: 0.1mm; Minimum reading: in 1µm increments
Eyepiece		10x (F.O.V. 22mm)	
Eyepiece tube		P-TT3 Trinocular Tube for polarizing microscopy; P-TB2 Binocular Tube for polarizing microscopy	
Intermediate tube		Built-in focusable Bertrand lens removable from optical path; Conoscopic/Orthoscopic observations switchable; Analyzer built-in; Accessory plate/compensator slot	
Analyzer		360° rotary dial; Minimum reading angle 0.1°	
Nosepiece		Centering quintuple nosepiece (detachable); DIN slot	
Stage		Top-grade dedicated circular graduated stage Rotatable 360° horizontally; can be fixed at a specific position; Graduated 360° (in 1° increments); Click stops each 45°; Attachable mechanical stage: 35 x 25 mm travel; vernier 0.1mm	Ball bearing rotary stage; Rotatable 360° horizontally; can be fixed at a specific position; Graduated 360° (in 1° increments); Rotation clamp equipped; Attachable mechanical stage: 35 x 25 mm travel; vernier 0.1mm
Condenser		Dedicated strain-free swing-out type; P Achromat NA 0.9	
Polarizer		Fixed to the bottom of the condenser holder; with scale markings	No scale markings
Objectives (Polarizing sets)		CFI P Achromat 4x, 10x, 20x, 40x, 100x CFI TU Plan Fluor Epi P 5x, 10x, 20x, 50x, 100x	
Episcopic illuminator		LV-UEPI-N Universal Epi-illuminator (The LV100N POL accommodates a 12V-50W illuminator transformer)	LV-UEPI-N Universal Epi-illuminator (The Ci-POL requires an external power supply)
Compensators		P-CL Standard 1/4 λ & tint plate, quartz wedge or Senarmont compensator can be inserted into intermediate tube slot	
Power consumption		1.2A/75W	0.8A/38W
Weight		Approx. 17kg (standard trinocular set)	Approx. 14kg (standard binocular set)

Dimensional Diagram

Unit: mm



Images courtesy of:

Dr. Kazuhiro Suzuki and Dr. Takenori Kato, Center for Chronological Research, Nagoya University (Front cover upper left and right, ① on page 3, ② on page 5)

Ron Sturm, Construction Technology Laboratories, Inc., U.S.A. (Front cover center and ③ on page 5)

Mike Davidson, Florida State University, U.S.A. (Front cover lower left and right, ④ on page 3, ⑤ on page 5)

Company names and product names appearing in this brochure are their registered trademarks or trademarks.
N.B. Export of the products* in this brochure is controlled under the Japanese Foreign Exchange and Foreign Trade Law.
Appropriate export procedure shall be required in case of export from Japan.
*Products: Hardware and its technical information (including software)



Specifications and equipment are subject to change without any notice or obligation on the part of the manufacturer. June 2013 ©2005-2013 NIKON CORPORATION

