

VisiLED Darkfield Lightheads

Illumination system specially developed for stereo microscopy and microscopy applications



Darkfield ringlight, P/N 400 300 with adaptor P/N 400 500



Transmitted darkfield light stage, P/N 400 350



Extension adaptors for darkfield ringlight

Features

- Easily adaptable to microscope objectives by means of thumb screw and adaptor rings.
- Homogenous illumination.
- Best white quality: typically 6,000 K.
- Long operating life: typically 50,000 h by actively controlling the LED chip temperature.
- Segments controllable in different preset modes for optimum contrasting:

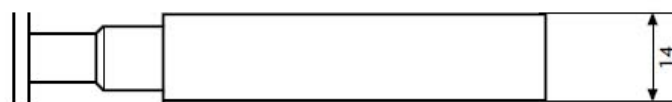
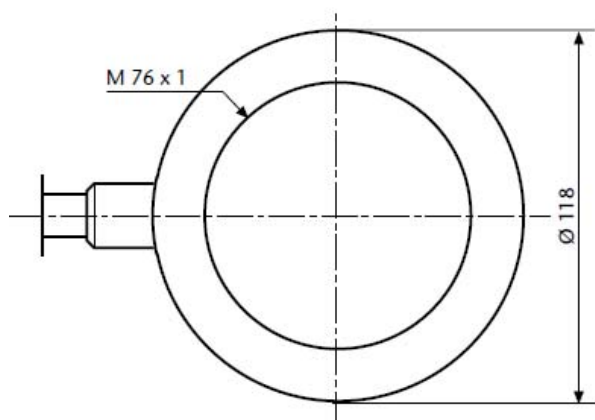


Ringlights and Accessories					
Description	Part-No.	Working distance (WD)	Max. Illuminance	Inner Ø	Outer Ø
LED Darkfield ringlight "S40-10D"	400 300	5-15 mm (0.20"-0.59")	130 klx (10 mm) (0.39")	66 mm (2.60")	118 mm (4.65")
Transmitted darkfield light stage "TLS-DF"	400 350	N/A		active 50 mm (1.97")	84 mm (3.31")

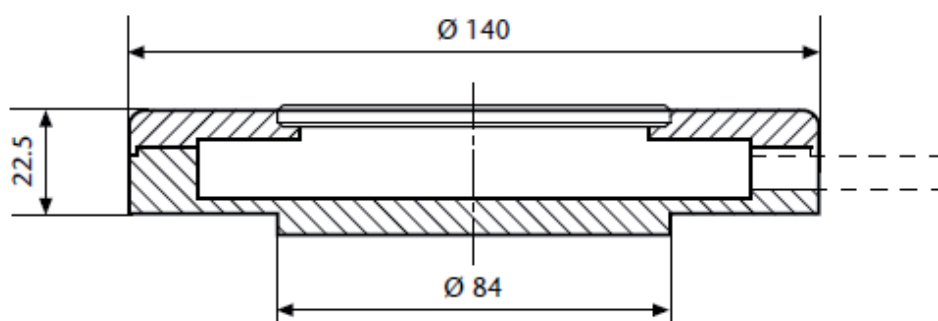
Accessories VisiLED Darkfield Lightheads

Description	Part-No.
Combi-Kit to combine one brightfield and the darkfield incident ringlight for mixed illumination techniques	400 500
Darkfield adaptor	400 510

VisiLED Darkfield Lightheads



Darkfield ringlight, P/N 400 300



Transmitted darkfield light stage, P/N 400 350

Adapting diameter 66 mm		
	Part. No.	Length
Extension adaptor for objective working distance 30 – 50 mm	157 569	30 mm
Extension adaptor for objective working distance 50 – 80 mm	157 567	50 mm
Extension adaptor for objective working distance 80 – 110 mm	157 562	75 mm