



Slim Ringlight

VisiLed Slim Ringlight

Innovative Illumination system specially developed for stereo microscopy and macroscopy applications

Benefits

- Slim and space saving LED ringlight
- Optimal for unconfined object preparation or usage with objective revolvers

Features

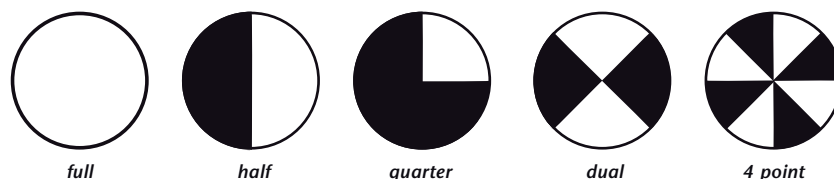
- Easily adaptable to microscope objectives by means thumb screw
- Homogeneous incident or oblique illumination
- Controllable with all VisiLED controllers (MC750, MC1000, MC1500)
- Variable working distance ranges possible by exchange of focus optics rings
- Implementation of brightfield and darkfield applications
- Segments controllable in different preset modes:



Focus optics rings for various working distance ranges



Extension adapters for darkfield application



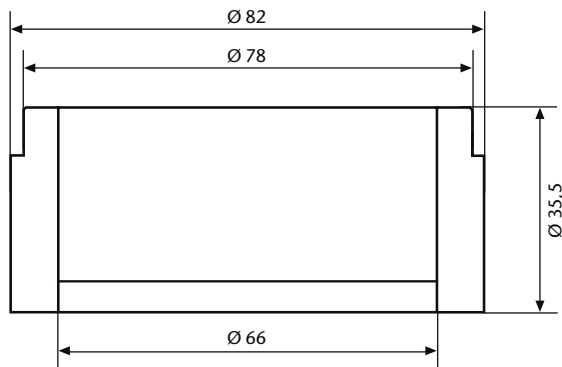
- Manufactured in Japan

Light Head						
Description	Part.No.	Free working distance (FWD) brightfield*	Max. illuminance	Adaption Ø	Outer Ø	Height
Slim Ringlight	400 150	40 – 90 mm (1.57" – 3.54")	65 klx (at 50 mm FWD)	66 mm (2.60")	82 mm (3.23")	35.5 mm (1.40")
		20 – 40 mm (0.79" – 1.57")	45 klx (at 25 mm FWD)			37.5 mm (1.48")

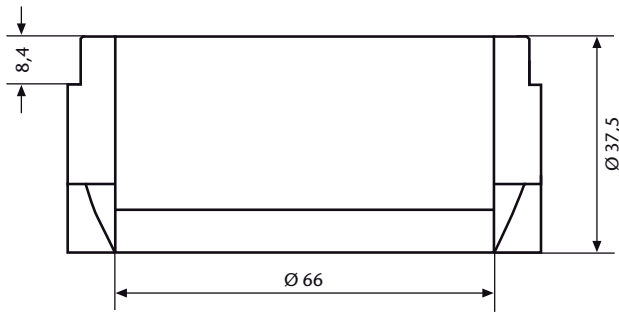
* Focus optics rings for both working distance ranges are included

Accessories for darkfield application		
Description	Free working distance (FWD)	Part.No.
Focus optics ring for darkfield	5 - 20 mm (0.20" - 0.79")	400 810
Extension adapters		Part.No.
	Length	
For objective working distance 30 – 50 mm (1.18" – 1.97")	30 mm (1.18")	157 569
For objective working distance 50 – 80 mm (1.97" – 3.15")	50 mm (1.97")	157 567
For objective working distance 80 – 110 mm (3.15" – 4.33")	75 mm (2.95")	157 562

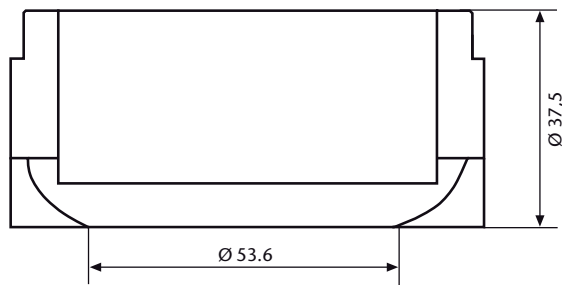
VisiLED Slim Ringlight



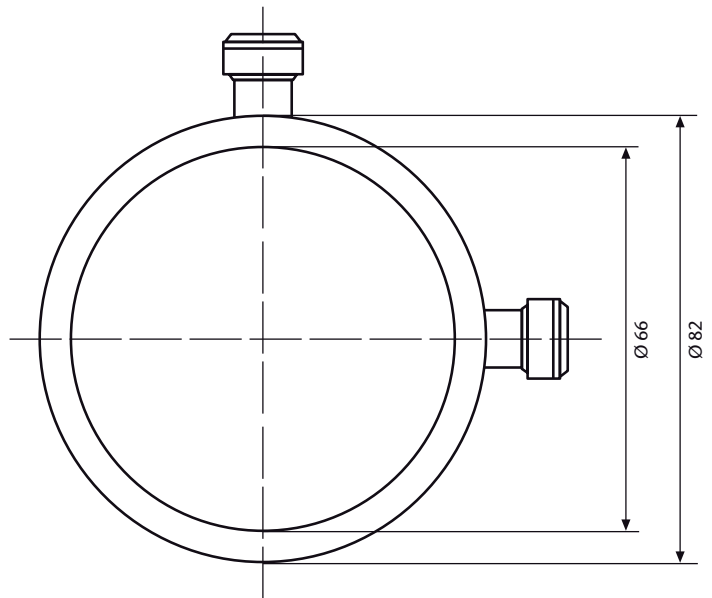
with focus optics ring f50



with focus optics ring f25



with focus optics ring f10



ryf ag
ryf

Ryf AG
Bettlachstrasse 2
2540 Grenchen
tel 032 654 21 00
fax 032 654 21 09
www.ryfag.ch

SCHOTT
glass made of ideas