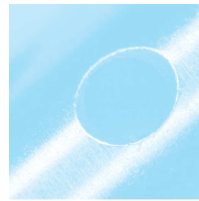




Ryf AG
Bettlachstrasse 2 · CH-2540 Grenchen
Tel. 032 654 21 00 · Fax 032 654 21 09
ryfag@ryfag.ch · www.ryfag.ch
www.fotoryf.ch



Nikon stereo microscope SMZ445 / SMZ460





Nikon stereo microscope SMZ445 / SMZ460



Stereoscopic zoom designed for excellent cost performance

The SMZ445 and SMZ460 stereoscopic zoom microscopes combine ease-of-use with high optical performance.

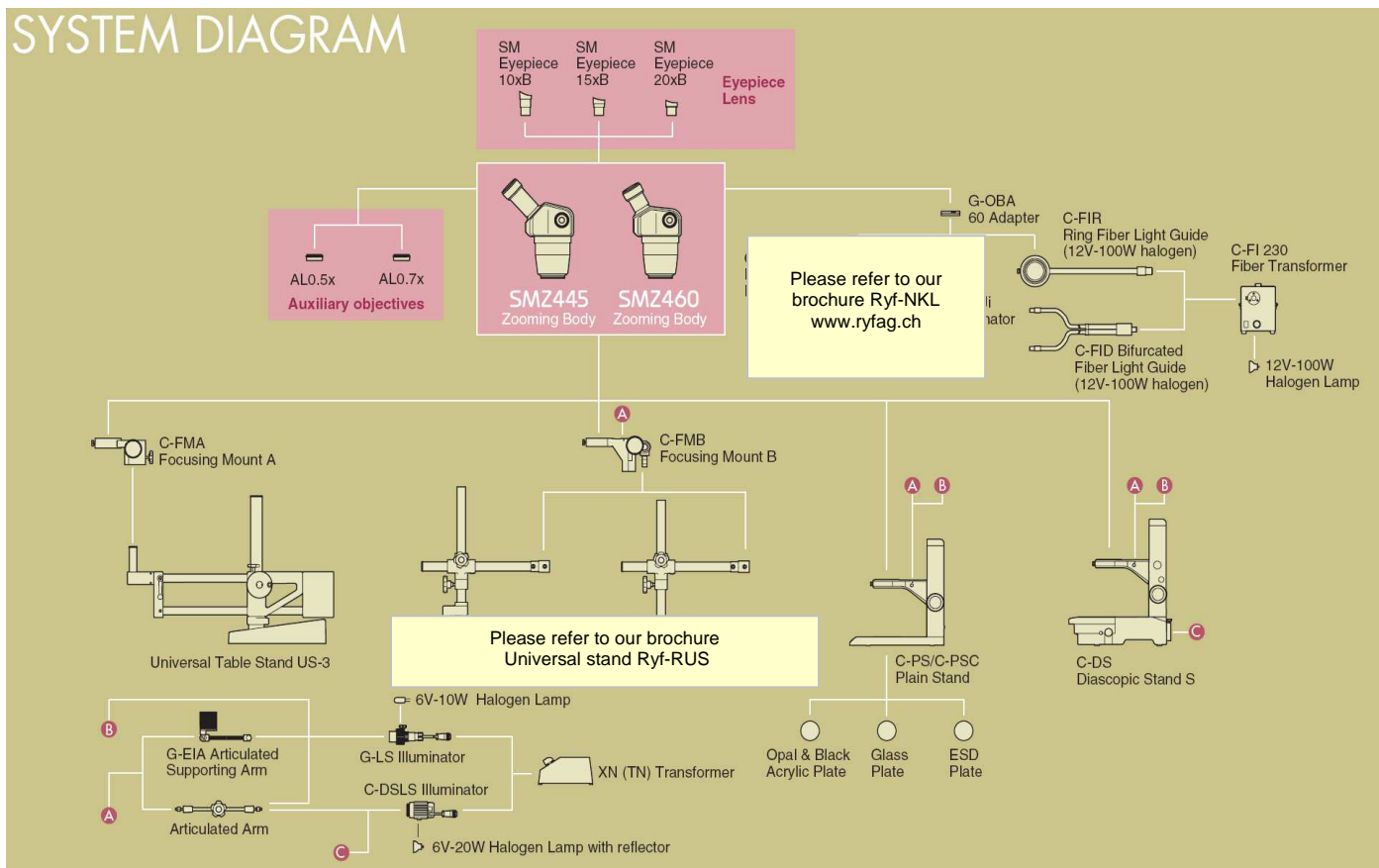
Both models feature a compact design with light weight, porro prism optics and ESD protection to prevent electrostatic damage to samples.

The SMZ445 incorporates a 45 degree inclination angle; whereby, the SMZ460 incorporates a 60 degree inclination angle making it ideal for OEM applications.

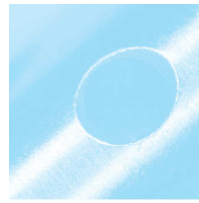


Nikon stereo microscope SMZ445 / SMZ460

SYSTEM DIAGRAM



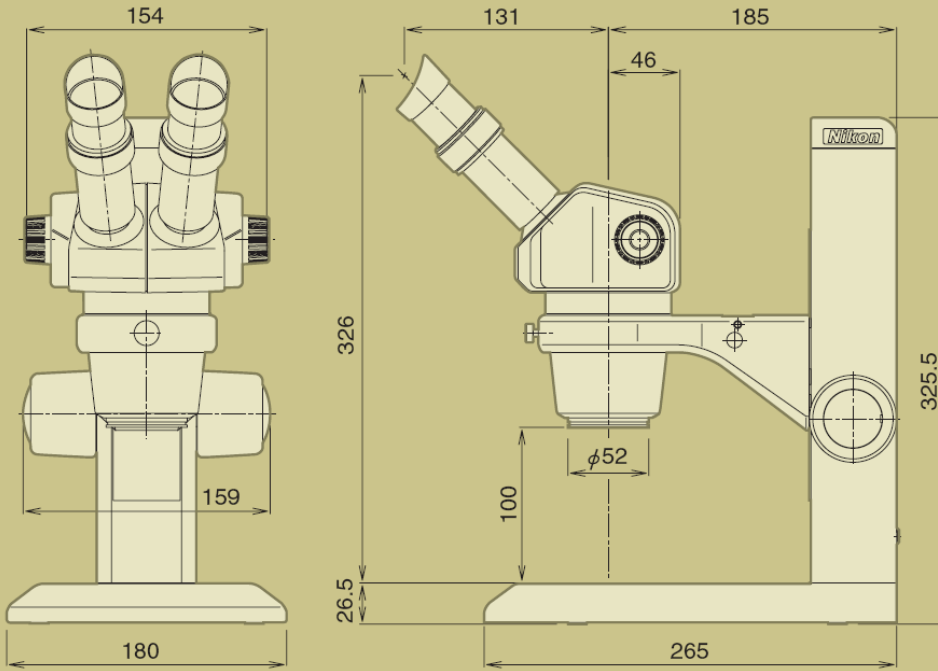
Specification:	SMZ445	SMZ460
Type	Greenough zooming optical system with eyepiece correction mechanism on both eyepieces	Greenough zooming optical system with eyepiece correction mechanism on both eyepieces
Total magnification	8x to 35x (4x to 70x by replacing eyepiece and/or auxiliary objective lens)	7x to 30x (3.5x to 60x by replacing eyepiece and/or auxiliary objective lens)
Eyepiece	SM 10xB eyepieces (F.N. 21), SM 15xB eyepieces (F.N.14), SM 20xB eyepieces (F.N. 12)	SM 10xB eyepieces (F.N. 21), SM 15xB eyepieces (F.N.14), SM 20xB eyepieces (F.N. 12)
Zoom range	0.8x to 3.5x (Zoom ratio: 4.4:1)	0.7x to 3x (Zoom ratio: 4.3:1)
Auxiliary objective lens	AL0.5x, 0.7x (optional)	AL0.5x, 0.7x (optional)
Working distance	100mm (standard configuration), 127.5mm (AL0.7x), 181mm (AL0.5x)	100mm (standard configuration), 127.5mm (AL0.7x), 181mm (AL0.5x)
Depression angle	45°	60°
Optical system	True erect image, 12° inner bevel, independent adjustment of right and left eyepieces and 54 to 75mm interpupillary adjustment	True erect image, 12° inner bevel, independent adjustment of right and left eyepieces and 54 to 75mm interpupillary adjustment
Weight	(main unit only) Approx. 1.0kg	(main unit only) Approx. 1.0kg



Nikon stereo microscope SMZ445 / SMZ460

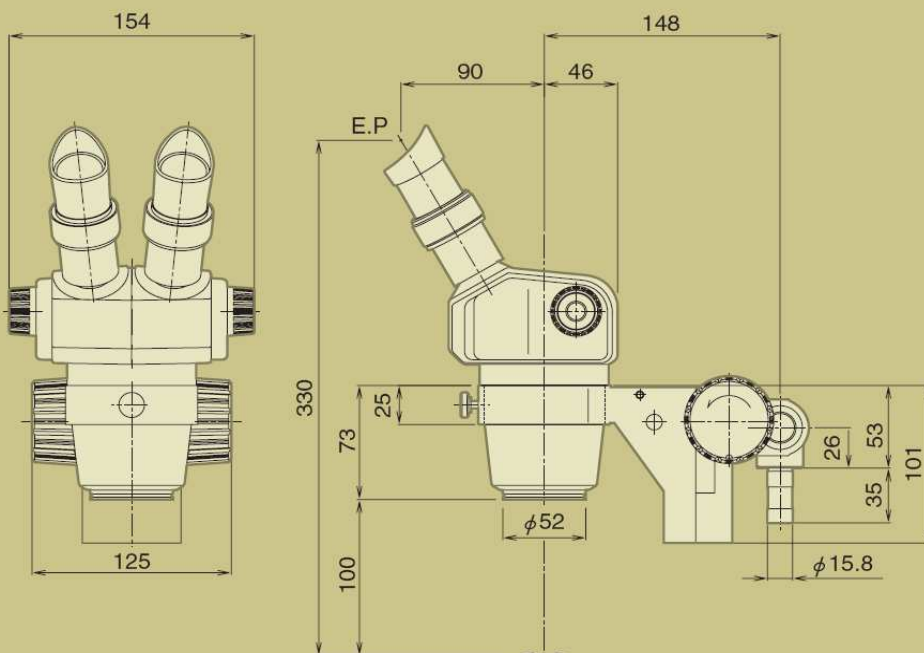
DIMENSIONS SMZ445

Shown with a 10X eyepiece and Plain Stand



DIMENSIONS SMZ460

Shown with a 10X eyepiece and Focus Mount B



The new microscopes were developed specially to realize the customer's demands: Easy to use, high optical performance with best cost performance. Both models feature a compact design with light weight, porro prism optics and ESD protection to prevent electrostatic damage to samples.