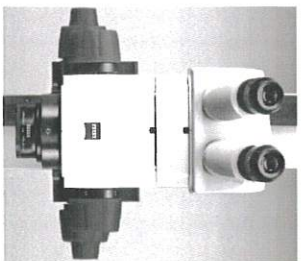
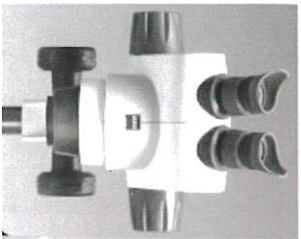
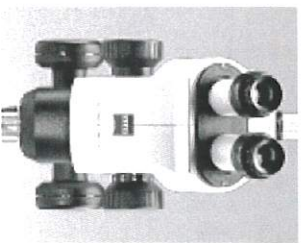


Zeiss Stemi 2000, C, CS - DV4 - Stereo Discovery V8, V12, V20



Dual Hi Power Spots



LED 40

Ringlights

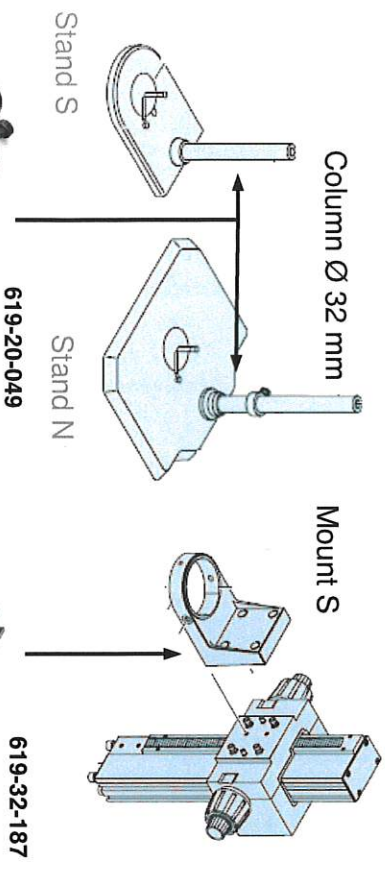
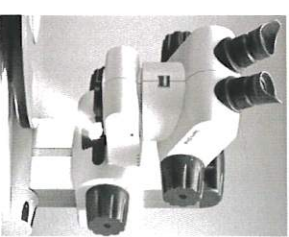
Ringlight inner Ø 66 mm



Working Distance 55 - 120 mm

Note for DV4 with stand C LED

Stand C LED is already equipped with built in illumination. Photonic LED 40 Ringlights and Hi Power Spots can not be used with this stand



objectives have 66 mm diameter and appropriate working distances, no adapters required

This Stereo Discovery

- 435203-0000-000 * Objective Plan Apo S 1,0x FWD 60 mm
- 435200-0000-000 * Objective Plan S 1,0x FWD 81 mm
- 435217-9901-000 ** Objective Adhromat S 1,0x FWD 53 mm
- 435202-0000-000 * Objective Plan Apo S 0,63x FWD 81 mm
- 435216-9901-000 * Objective Adhromat S 0,63x FWD 107 mm

DV4



Stemi 2000

Zeiss order nr 455 182 0000 000

Adapter A53 → 66mm, fits to Stemi 2000 and DV4 except for use with stand C LED