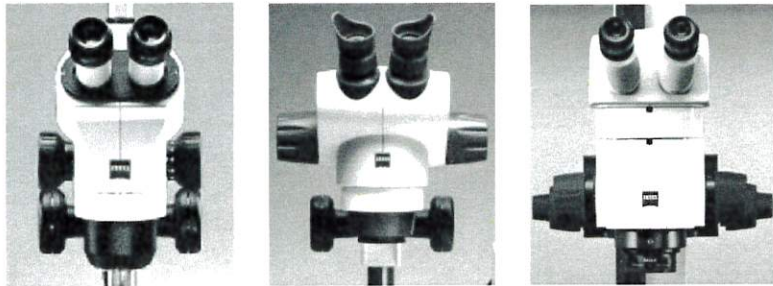
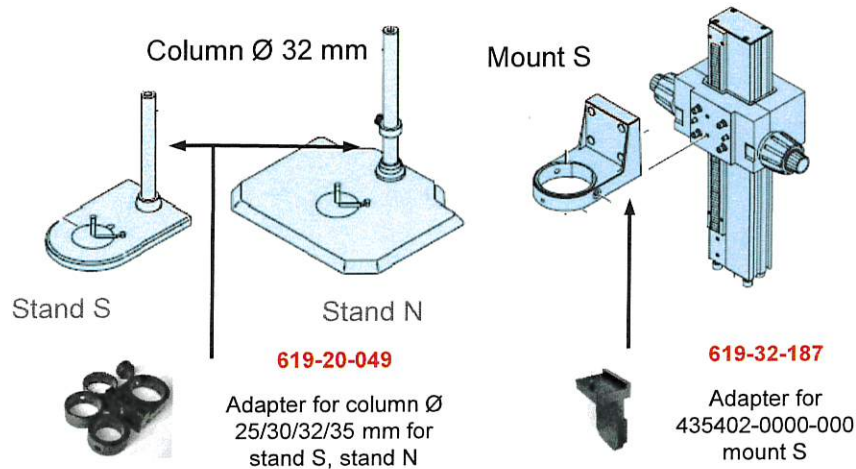


Zeiss Stemi 2000, C, CS - DV4 - SteREO Discovery V8, V12, V20



Dual Hi Power Spots



LED 40

Ring lights

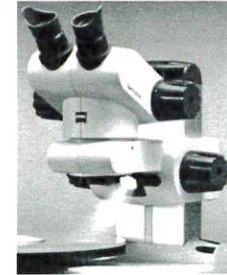
Ring light inner Ø 66 mm



Working Distance 55 -120 mm

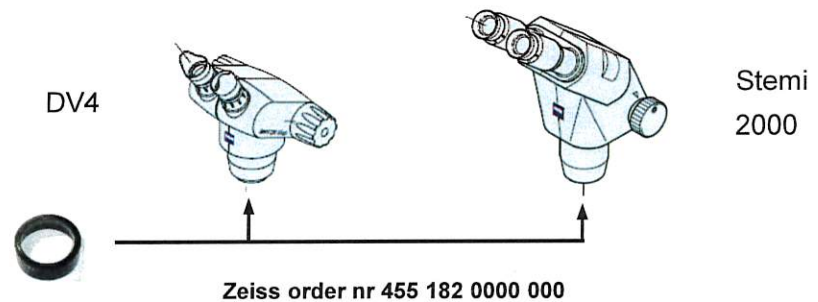
Note for DV4 with stand C LED

Stand C LED is already equipped with built in illumination. Photonic LED 40 Ring lights and Hi Power Spots can not be used with this stand



| | | | | |
|--|--|---|---|--|
| | | | | |
| 435203-0000-000 * Objective Plan Apo S 1,0x FWD 60 mm | 435200-0000-000 * Objective Plan S 1,0x FWD 81 mm | 435217-9901-000 ** Objective Achromat S 1,0x FWD 63 mm | 435202-0000-000 * Objective Plan Apo S 0,63x FWD 81 mm | 435216-9901-000 * Objective Achromat S 0,63x FWD 107 mm |

This SteREO Discovery and Stemi 305 objectives have 66 mm diameter and appropriate working distances, no adapters required



Zeiss Adapter A53 → 66mm, fits to Stemi 2000, 508 and DV4 **except** for use with stand C LED