

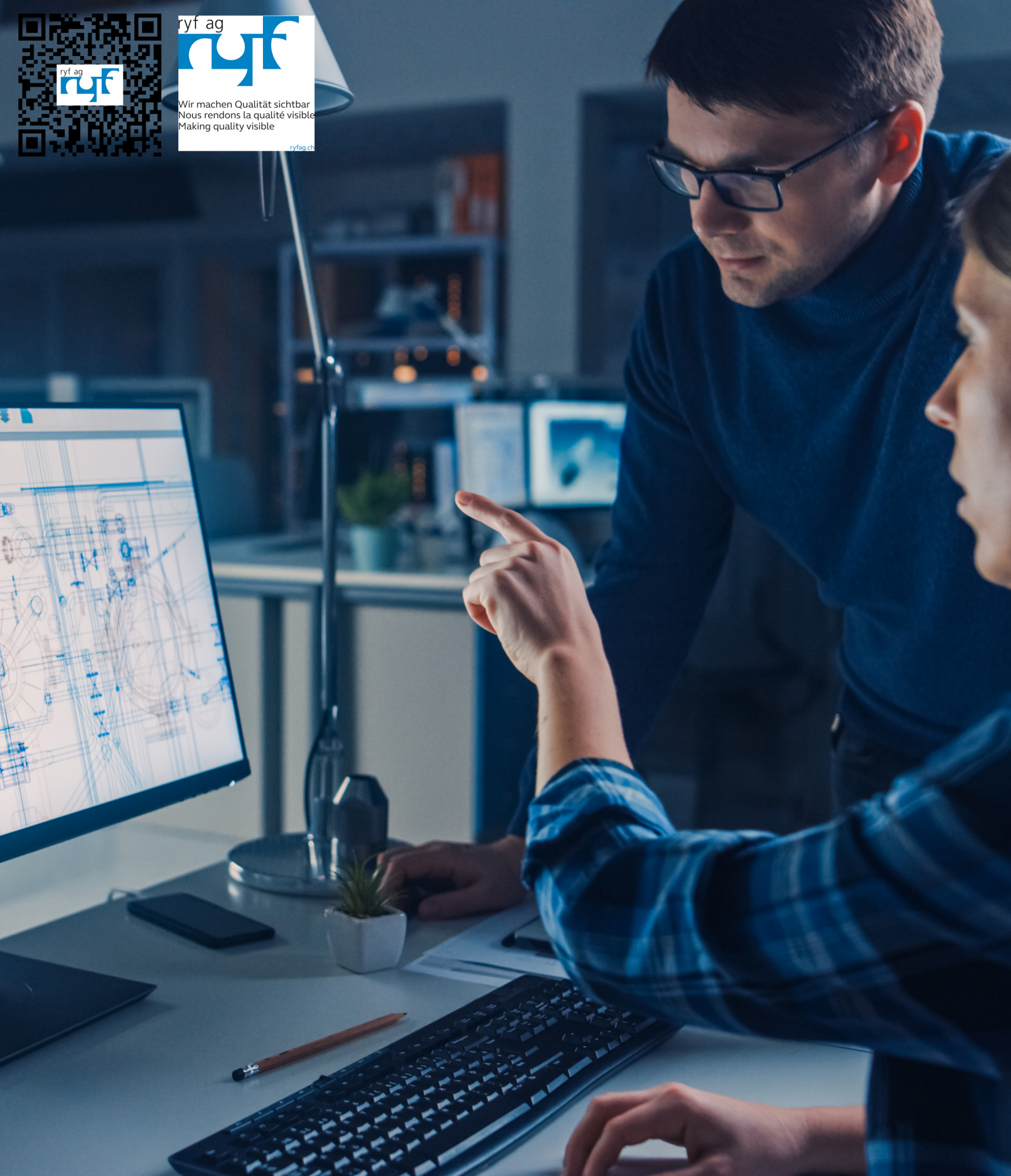


ryf ag



Wir machen Qualität sichtbar
Nous rendons la qualité visible
Making quality visible

ryfag.ch



quantum

AUTOMATIC MULTI FOV
VIDEO MEASUREMENT SYSTEM



quantum



AUTOMATIC MULTI FIELD OF VIEW VIDEO MEASUREMENT SYSTEM

Quantum is a fully integrated, easy to use, instant measurement system with no PC requirement.

Advanced digital image processing technology. Multi FOV zoom levels reduce measurement time and increase inspection efficiency.

FEATURES & BENEFITS

Instantly transform your manufacturing process with Quantum

RTLDC™

Real-Time Lens Distortion Correction*. Lens distortion is inherent in all microscopes. Image distortion at the outer edges of large samples is automatically corrected by the Quantum.

AshCal™

Save time with AshCal™. Factory calibration tracking for all lenses. No recalibration when changing magnification levels, giving consistent, accurate measurement with every zoom.

2D Measurement & Graticules

Intuitive on screen full 2D patented measurement application. Point to point, diameter, angle, adjustable X-Y grid, shapes and annotation features to accommodate a multitude of samples specifications. Graticule creation allows samples to be analysed against on-screen digital templates with set tolerance limits. It also enables quick go/no-go defect analysis.

* Patent pending

FEATURES & BENEFITS

Instantly transform your manufacturing process with Quantum

Automatic Alignment

Automate your process. Remove subjectivity and eliminate human error. Increase efficiency. Integrate robots and cobots and free valuable resources to work on other projects.

Data Reporting

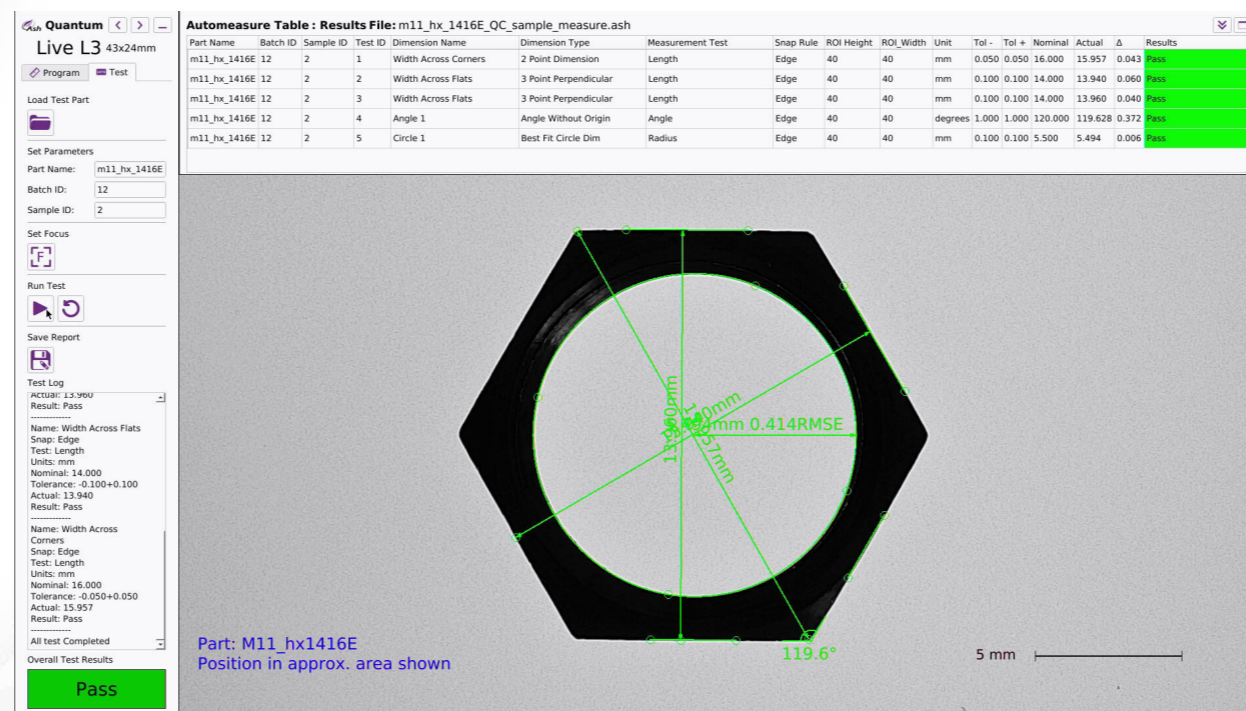
Automatic part alignment, removes the need for a jig. The position of a part is automatically identified and re-orientated to its programmed measurement position.

Instant Measurement

Place and press for fuss-free measurement. Save and recall programs for routine inspections. Simultaneous automatic measurements to speed up inspection time. Rapid pass/fail identification.

Program and Test

Program and test your parts in six easy steps.



INTUITIVE USER INTERFACE

PROGRAM AND TEST

PROGRAM

There are 6 easy steps to allow you to program your parts/setup your measurements.

- 1 Open new part
- 2 Select Field of View which best suits the size of the part
- 3 Set focus point
- 4 Set the optimal lighting conditions for the part
- 5 Define the edges of the part to ensure readiness for measurement
- 6 Ready to perform measurements as outlined in the Measurement Suite section

TEST

The Test option allows you to perform automatic testing of production parts.

Test your part against a master golden template to automatically identify defects. Simply load the test part, run the test and the results are clearly displayed on the screen. Results can be captured and exported to an Excel document for documentation and traceability.



Included System Components



LENSES

+5 Lens



LIGHTS

LED Ring Light



OTHERS

Wireless Keyboard and Mouse

USB Memory Stick

HDMI Cable

Optional System Components



LENSES

+5 Lens

AI 280-150

Polarising Lens (Analyser)

AI 100-041

Sub-Stage Polarising Film & Analyser

AI 801-835

Sub-Stage Polarising Film

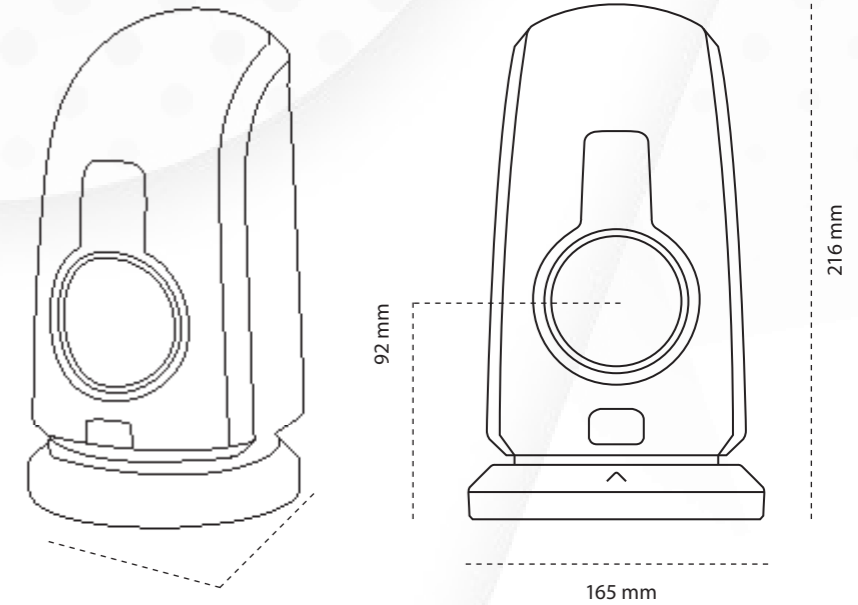
AI 801-836

Polarised Ringlight & Analyser (58mm)

AI 801-423

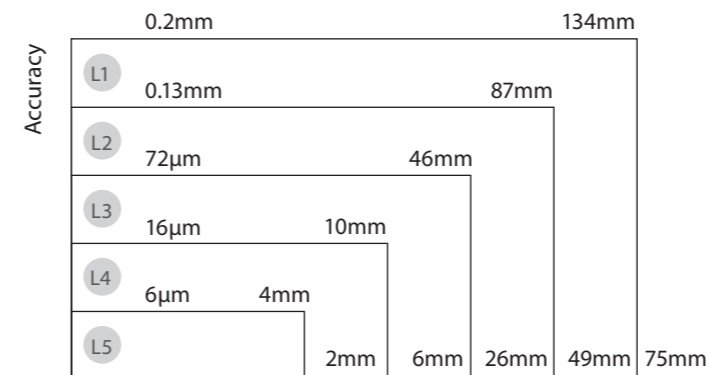


Technical Specifications



Multi Field of View System

RTLDC™ means no lens change is required to achieve multiple fields of view. Quantum uses digital



Field of View Chart L1 - L5

Technical Specifications

Lens	+5 lens with 5 fixed position zooms
FOV	134mm x 75mm @ L1 mag; 87mm x 49mm @ L2 mag; 46mm x 26mm @ L3 mag; 10mm x 6mm @ L4 mag; 4mm x 2mm @ L5 mag;
Illumination	Quadrant controllable LED ring light; Sub-stage transmitted LED illumination
Power	24 W
Dimensions	216(H) x 165(W) x 170(D) mm
Weight	1.75 kg
Temperature	Storage: -10°C to +60°C Operating: +5°C to +40°C
Video Format	Full HD (1920 x 1080p) at 50/60fps
Internal Storage	10 GB
Image Save Format	JPEG, BMP, Ash Measurement Format
Input/Output	HDMI Out, USB 2.0 Port x 4 RJ45, Ethernet Connector (for networking), General Purpose IO x 3, DC Power Jack (24V)



MICROSCOPY • METROLOGY SERVICES
Suisse made



We show quality
Nous rendons la qualité visible
Wir machen Qualität sichtbar



Bettlachstrasse 2 | 2540 Grenchen | Switzerland
phone +41 32 654 21 00 | +41 22 776 82 28
ryfag@ryfag.ch | www.ryfag.ch