



Wir machen Qualität sichtbar  
Nous rendons la qualité visible  
Making quality visible

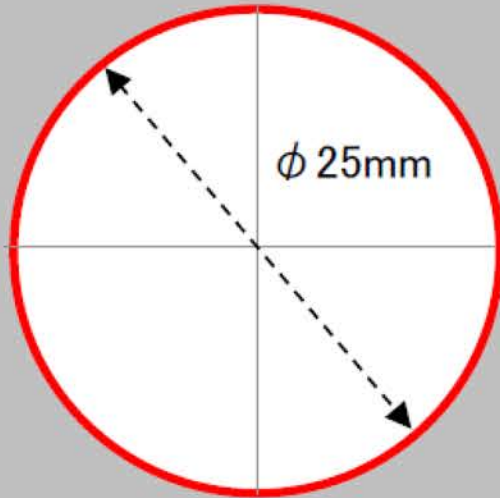
[ryfag.ch](http://ryfag.ch)

# F.O.V. of combinations of cameras and adapters

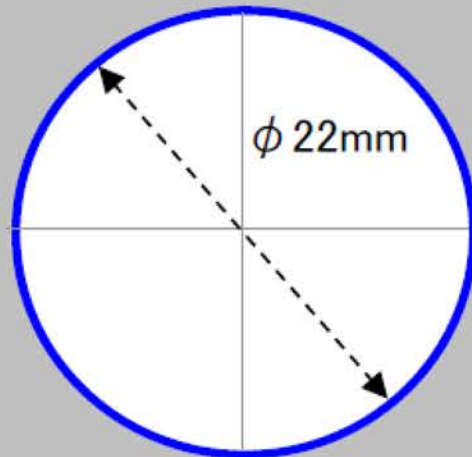
26 January 2021

Nikon Corporation

### Field of View - Eyepiece

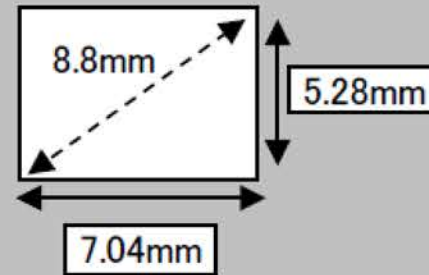


CFI UW 10x FN25  
Diameter 25mm

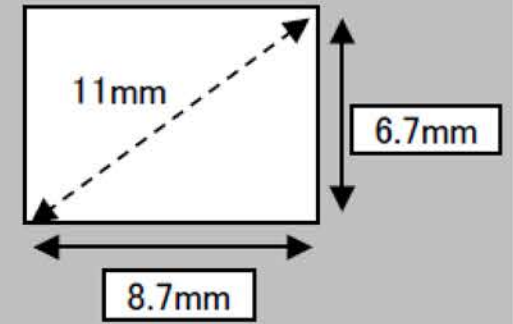


CFI 10x FN22  
Diameter 22mm

### Camera sensor size



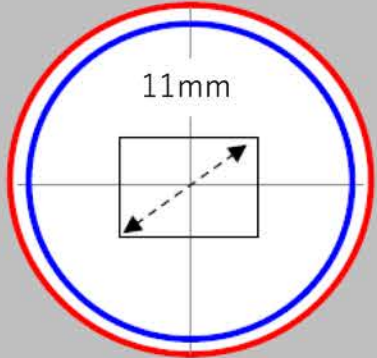
1/1.8 inch  
7.04 x 5.28mm (H x V)  
8.8mm (Diagonal length)



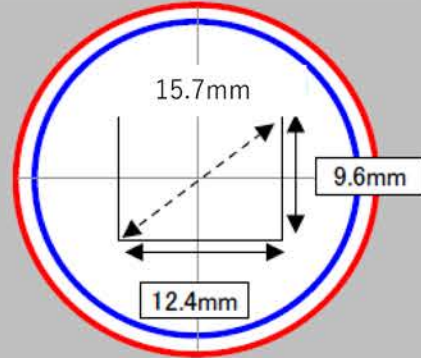
2/3 inch  
8.7 x 6.7mm (H x V)  
11mm (Diagonal length)

## 2/3 inch camera sensor (Nikon Fi1, Fi1c, Ri1)

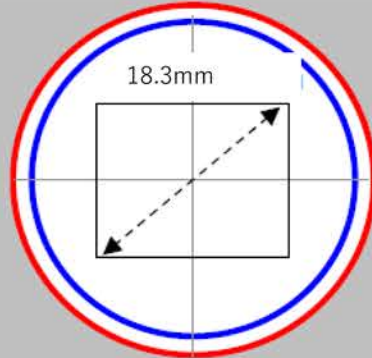
C-mount Direct TV  
Adapter 1x - 11.7mm



C-0.7x DXM Relay Lens  
0.7x - 15.7mm



C-mount TV Adapter  
0.6x - 18.3mm



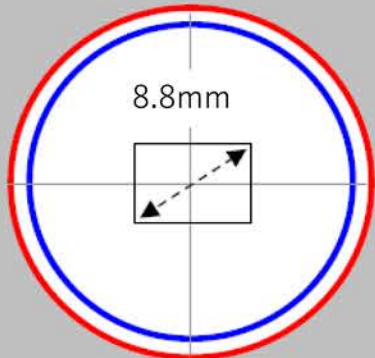
## F.O.V. of Ri1 camera with C-0.7x

Obj magnification	(L mm)		
	Diagonal	Horizontal	Vertical
1x	15.7	12.4	9.6
5x	3.14	2.48	1.92
10x	1.57	1.24	0.96
20x	0.79	0.62	0.48
40x	0.39	0.31	0.24
50x	0.31	0.25	0.19
100x	0.16	0.12	0.1

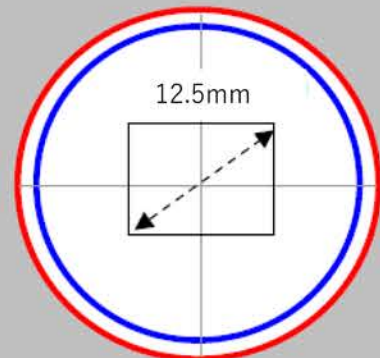
\* Actual size may be slightly different due to actual effective pixel area.

## 1/1.8 inch camera sensor

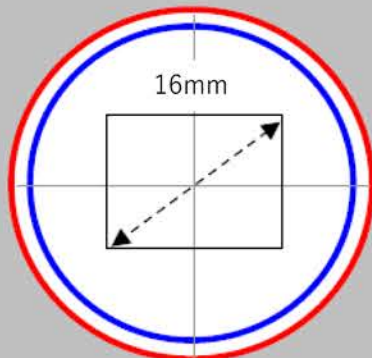
C-mount Direct TV  
Adapter 1x - 8.8mm



C-0.7x DXM Relay Lens  
0.7x - 12.5mm



C-0.55x DS Relay Lens  
0.5x - 16mm



(Diagonal length of camera sensor) / (Relay lens magnification)  
= (Diagonal length of F.O.V. captured by camera sensor)

MICROSCOPY • METROLOGY SERVICES  
Suisse made

ryf ag  
**ryf**

We show quality  
Nous rendons la qualité visible  
Wir machen Qualität sichtbar

Bettlachstrasse 2 | 2540 Grenchen | Switzerland  
phone +41 32 654 21 00 | +41 22 776 82 28  
ryfag@ryfag.ch | www.ryfag.ch



End