

From Eye to Insight



Educational Compound Microscopes

AFFORDABLE INNOVATION FOR THE FIRST-TIME-SCIENTIST

Leica DM300



AFFORDABLE INNOVATION FOR THE NEXT GENERATION OF SCIENTISTS

Students learn best when their equipment is easy to use and constructed to be robust enough for trouble free operation each day.

Leica Microsystems, with 165 years of microscope design and manufacturing experience, combines the latest technology in optics, mechanics, and illumination in the new Leica DM300 student microscopes. These microscopes provide students with the capabilities they need to study the finest details in all the life sciences.

Construction that lasts

- › Focus drive design has been proven in the clinical laboratory

Brilliant illumination

- › Leica EZLite™ LED illumination produces crisp, clear images

View the finest details

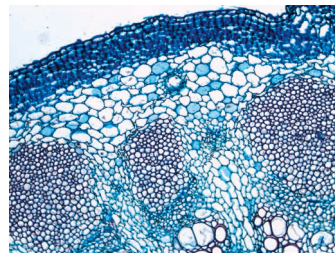
- › Outstanding optical quality reveals the finest specimen details



Convallaris - Lily of the Valley



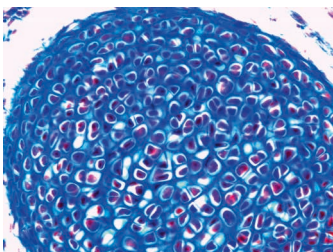
Taste Buds



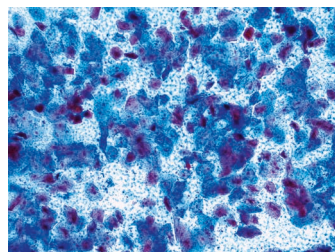
Sunflower



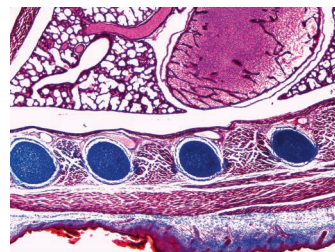
Giant Chromosomes



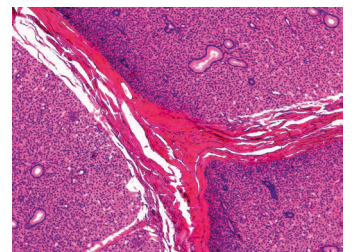
Mouse Embryo



Squamos Epithelium



Mouse Embryo



Parotid Gland



BENEFITS: LEICA DM300

Robust construction:

- › Maintenance-free, sealed, brass shaft, focus mechanism; the same design that is used in Leica Microsystems' clinical microscopes provides accurate focus control over the life of the microscope
- › Spring-loaded, high-magnification objectives prevent broken specimen slides
- › Designed to International Safety Standards

Optimized illumination and optics:

- › LED illumination saves the cost of replacement lamps and provides a cool white light for over 20 years of average use at 80 % lower energy consumption
- › Leica EZLite™ illumination system provides an evenly illuminated field of view for accurate specimen viewing
- › The illumination system provides stable, true daylight quality with a wide brightness ratio of 200 to 1
- › Superb optical performance as a result of the illumination, objective, viewing tube, and eyepiece working seamlessly together

Student friendly:

- › Coaxial focus mechanism for intuitive control
- › Compact size with small footprint for easy storage and carrying
- › Continuous light intensity control for comfortable viewing with specimens of various thickness and color
- › Leica EZTube™ binocular and monocular tubes with integrated eyepieces prevent loss and also provides continuous 360° tube rotation for shared viewing and easy storage

Flexibility:

- › Pre-configured outfits for easy ordering
- › Choice of monocular or binocular tube depending on budget
- › Digital version also possible with trinocular tube



Leica DM300

- › Second level microscope for full lab sessions
- › Built-in mechanical stage with low position X/Y controls for accurate specimen movement at high magnifications
- › Pre-centered, pre-focused professional condenser system for maximizing illumination
- › Clearly labeled adjustable iris diaphragm for fine tuning the image resolution
- › Commonly configured with binocular tube for comfortable viewing during longer lab sessions

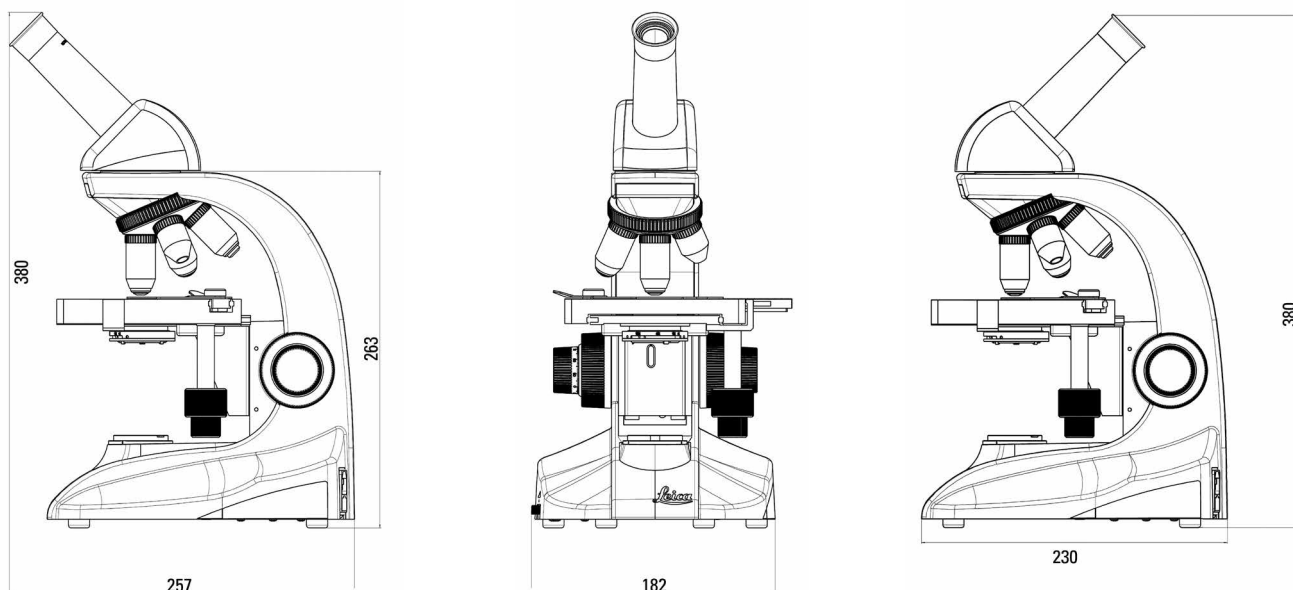


OUTFIT MATRIX

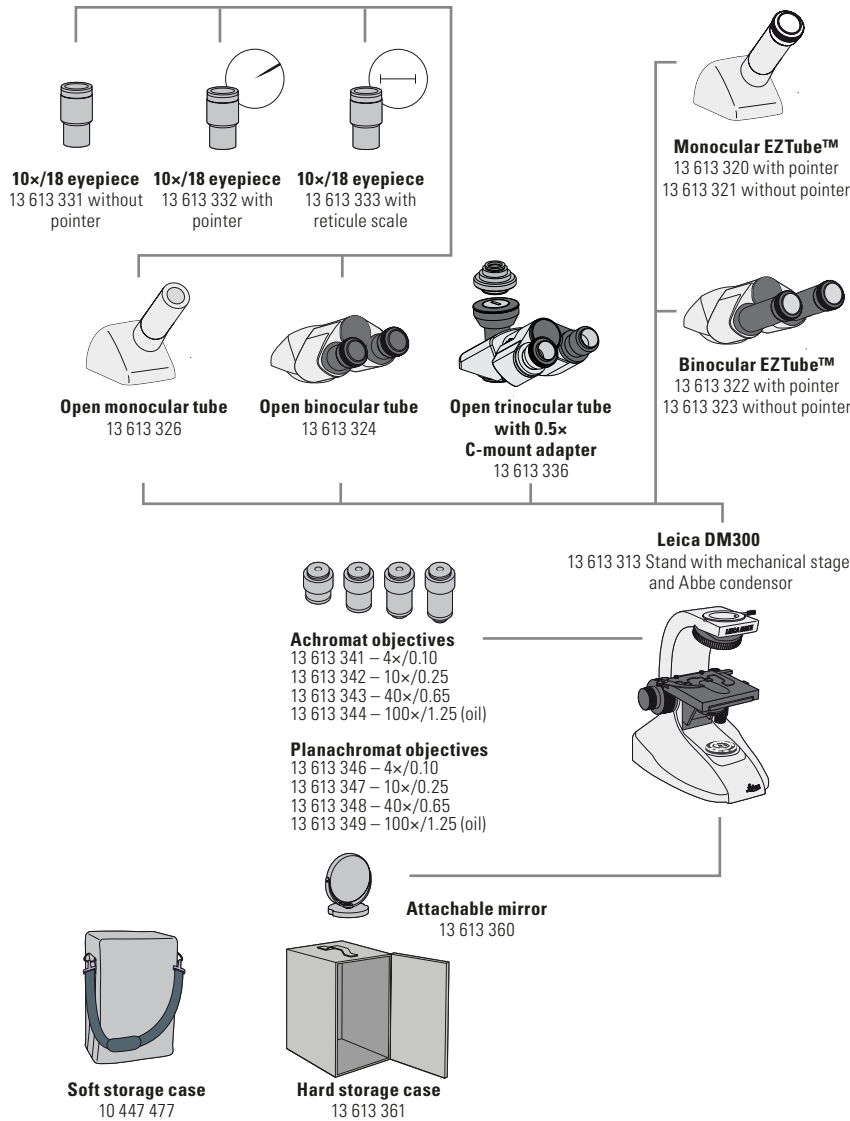
ATTENTION: POWER CORD MUST BE ORDERED SEPARATELY		13 613 382 DM300 LED, Monoc, Mechanical Stage, Abbe Condenser, 4x, 10x, 40x, Dust Cover, User Documents	13 613 383 DM300 LED, Monoc, Mechanical Stage, Abbe Condenser, 4x, 10x, 40x, 100x, Oil, Dust Cover, User Documents	13 613 384 DM300 LED, Binoc, Mechanical Stage, Abbe Condenser, 4x, 10x, 40x, 100x, Oil, Dust Cover, User Documents	13 613 385 DM300 LED, Binoc, Mechanical Stage, Abbe Condenser, Plan 4x, 10x, 40x, 100x, Oil, Dust Cover, User Documents
Stands					
13 613 313	DM300 Stand, Mechanical Stage, Abbe Condenser, Dust Cover, User Documents	X	X	X	X
Tubes					
13 613 320	Monocular Leica EZTube™ with eyeguard and pointer	X	X		
13 613 322	Binocular Leica EZTube™ with eyeguards, with pointer in right eyepiece			X	X
Achromat Objectives					
13 613 341	Achromat 4x/0.10	X	X	X	
13 613 342	Achromat 10x/0.25	X	X	X	
13 613 343	Achromat 40x/0.65	X	X	X	
13 613 344	Achromat 100x/1.25 oil		X	X	
Plan Objectives					
13 613 346	Plan Achromat 4x/0.10				X
13 613 347	Plan Achromat 10x/0.25				X
13 613 348	Plan Achromat 40x/0.65				X
13 613 349	Plan Achromat 100x/1.25 oil				X
Accessories					
13 614 800	Immersion oil, 10 ml		X	X	X

DIMENSIONS

Dimensions in mm



SYSTEM DIAGRAM



BASIC COMPONENTS

- 13 613 331 10×/18 eyepiece without pointer
- 13 613 332 10×/18 eyepiece with pointer
- 13 613 333 10×/18 eyepiece with reticule scale

- 13 613 320 Monocular EZTube™ with pointer
- 13 613 321 Monocular EZTube™ without pointer
- 13 613 322 Binocular EZTube™ with pointer
- 13 613 323 Binocular EZTube™ without pointer
- 13 613 324 Open binocular tube
- 13 613 326 Open monocular tube
- 13 613 336 Open trinocular tube with 0.5× C-mount adapter

- 13 613 313 Leica DM300 Stand with mechanical xy-stage and Abbe condenser

- 13 613 341 Objective Achromat 4×/0.10 NA
- 13 613 342 Objective Achromat 10×/0.25 NA
- 13 613 343 Objective Achromat 40×/0.65 NA
- 13 613 344 Objective Achromat 100×/1.25 (oil)

- 13 613 346 Objective Planachromat 4×/0.10
- 13 613 347 Objective Planachromat 10×/0.25
- 13 613 348 Objective Planachromat 40×/0.65
- 13 613 349 Objective Planachromat 100×/1.25 (oil)

OPTIONS

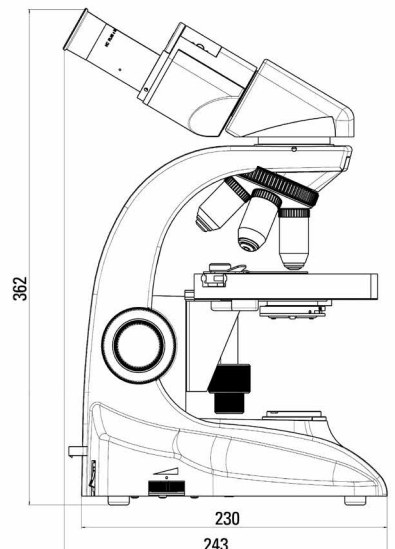
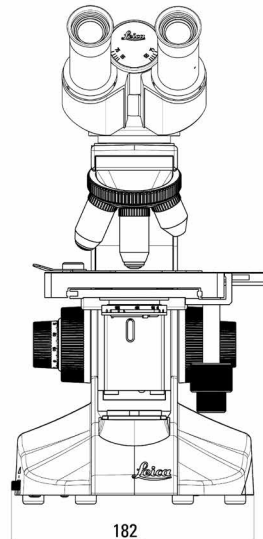
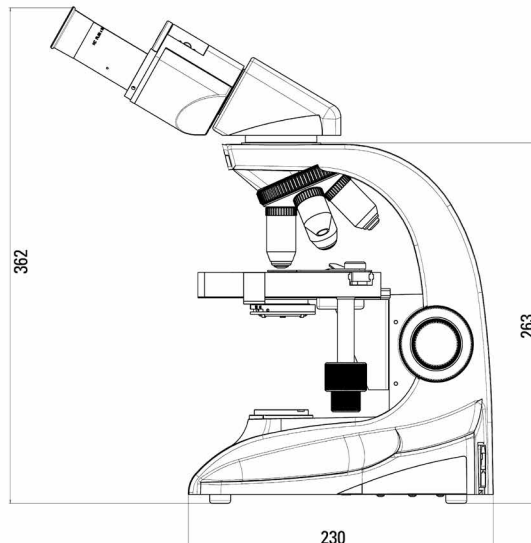
- 10 447 477 Soft storage case
- 13 613 361 Hard storage case
- 13 614 800 Immersion oil 10 ml
- 13 613 363 Simple pol kit
- 13 613 360 Attachable mirror

REPLACEMENTS

- 13 613 300-100 User Document
- 13 596 010 Dust cover
- 13 613 362 Pair of eyeguards
- 13RFAG30003 Replacement Fuse

INTERNATIONAL POWER CORDS

- 13 613 900 U.S. 
- 13 613 901 Europe Continental 
- 13 613 902 U.K. 
- 13 613 903 Switzerland 
- 13 613 904 Denmark 
- 13 613 905 Italy 
- 13 613 906 Australia 
- 13 613 907 China 
- 13 613 908 Japan 
- 13 613 909 Israel 
- 13 613 910 South Africa 
- 13 613 911 India 
- 13 613 912 Argentina 



SPECIFICATIONS

SEPARATE EYEPIECES

- › High eyepoint
- › 10×/18 eyepieces fixed
- › Available with or without pointer and with a measuring reticle
- › Foldable eyeguards
- › 23.2 mm mounting diameter

EZTUBE™ MONOCULAR TUBE

- › 45 degree viewing angle
- › 10×/18 eyepiece integrated into eyetube
- › Attached to stand with 2 set screws
- › Rotatable mounting
- › Available with and without pointer

STAND

- › Stand shape protects controls
- › Stand construction – die-cast aluminium
- › External fuses
- › Knurled nosepiece control
- › 4 position nosepiece
- › Drop in holder for 32 mm mounted or not mounted filters

EZTUBE™ BINOCULAR TUBE

- › Preset diopters for corrected vision
- › 30° viewing angle
- › 10×/18 high eyepoint eyepieces integrated into eyetubes
- › Attached to stand with 2 set screws
- › Rotatable mounting
- › Available with and without pointer
- › Interpupillary distance range 52 mm – 75 mm

OPEN MONOCULAR, BINOCULAR, AND TRINOCULAR TUBES

- › Accepts separate 10×/18 eyepieces
- › Attached to stand with 2 set screws
- › Rotatable mounting
- › Left eyetube for binocular tube with diopter focus
- › 30° viewing angle for binocular tube
- › Interpupillary distance range for binocular tube 52 mm – 75 mm

EZLITE™ ILLUMINATION

- › Preset field aperture
- › LED illumination – 6 000 K temp, 25 000 h life at full intensity
- › Continuous intensity adjustment
- › Illumination enough for viewing at lowest intensity
- › Simple polarizing kit available

CONDENSER

- › Prefocused and precentered condenser
- › Leica DM300 – NA = 0.9/1.25 oil – Adjustable diaphragm with magnification labels

STAGE

- › Leica DM300 – Mechanical Right handed
- › Size: 14.3 cm (X) × 13.2 cm (Y)
- › Travel: 76 mm (X) × 50 mm (Y)
- › Front loading specimen holder for two standard slides

FOCUS

- › Coaxial focus controls
- › Self-adjusting focus mechanism
- › 300 microns per fine focus rotation
- › Calibrated in 3 micron increments

CERTIFICATIONS

- › cULus, CE, RoHS

SHIPPING

- › Dimensions: 45 cm × 31.5 cm × 42 cm
- › Weight: 6.5 kg

Leica Microsystems (Schweiz) AG · Max-Schmidheiny-Strasse 201 · 9435 Heerbrugg, Switzerland
T +41 71 726 34 34 · F +41 71 726 34 44

www.leica-microsystems.com

CONNECT
WITH US!

