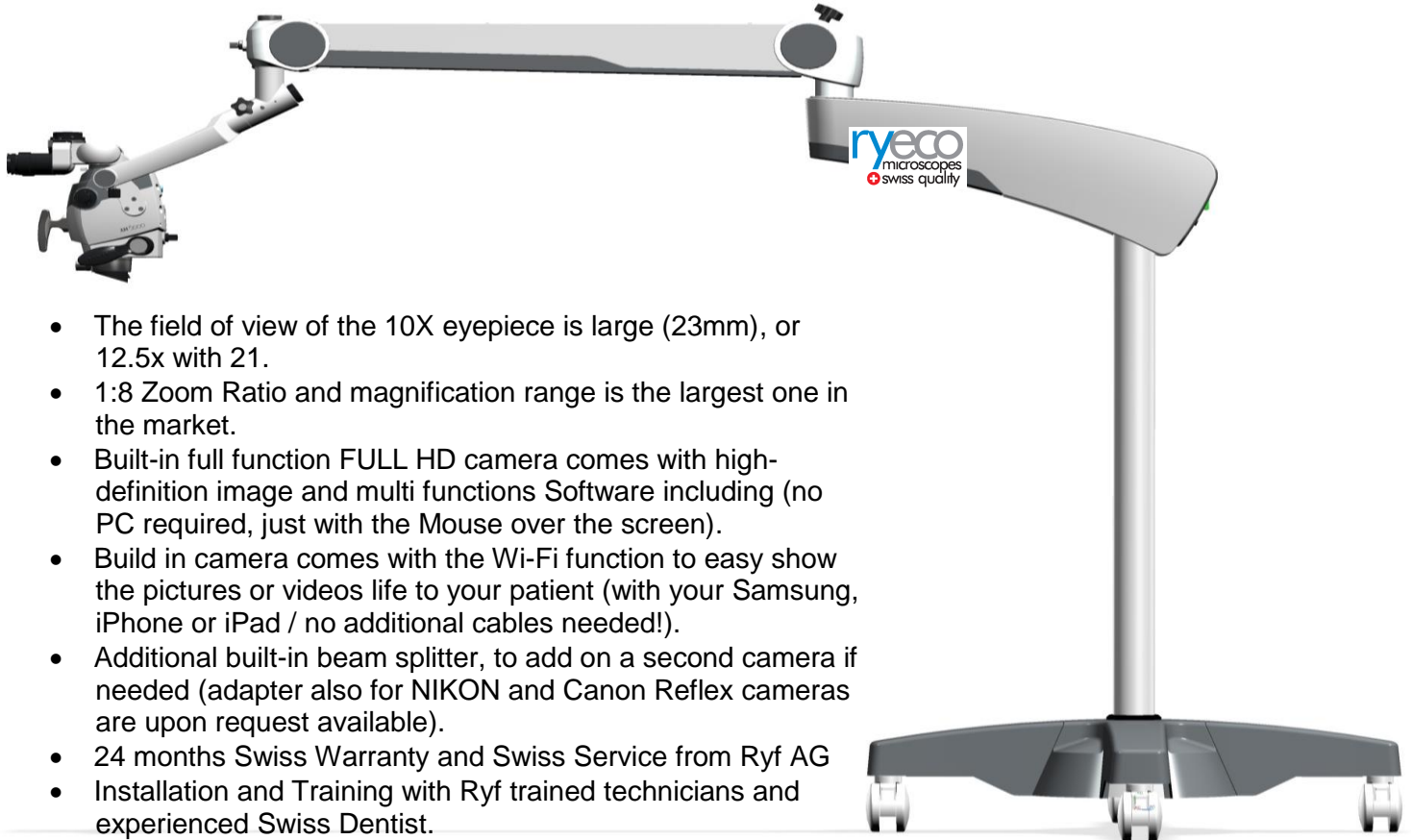


Ryeco Dental AM6000 Surgical Dental Microscope



Ryeco Dental AM6000 Surgical Dental Microscope



- The field of view of the 10X eyepiece is large (23mm), or 12.5x with 21.
- 1:8 Zoom Ratio and magnification range is the largest one in the market.
- Built-in full function FULL HD camera comes with high-definition image and multi functions Software including (no PC required, just with the Mouse over the screen).
- Build in camera comes with the Wi-Fi function to easy show the pictures or videos live to your patient (with your Samsung, iPhone or iPad / no additional cables needed!).
- Additional built-in beam splitter, to add on a second camera if needed (adapter also for NIKON and Canon Reflex cameras are upon request available).
- 24 months Swiss Warranty and Swiss Service from Ryf AG
- Installation and Training with Ryf trained technicians and experienced Swiss Dentist.
- Floor stand, wall mount or sealing mount are also available (including mounting and bolting by Ryf AG).

23mm eyepieces for large field of view

**Perfect adapted for Dentists: easy to find the 3D stereo view.
Very comfortable view due to the extremely large field of view.**



Ryeco Dental AM6000 Surgical Dental Microscope



Built-in 1080P Full Function Wi-Fi camera



Ryeco Full HD built-in Wi-Fi camera
Featuring high contrast live images, images and videos....

Ryeco Dental AM6000 Surgical Dental Microscope



Built-in Ryeco camera with: Measurements and marking features, for recording still images as well as videos

Wireless foot pedal



Mouse included



Handgrip button

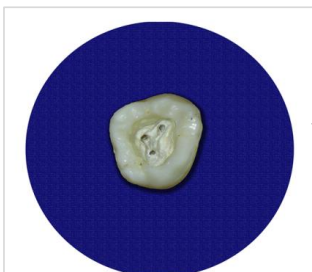
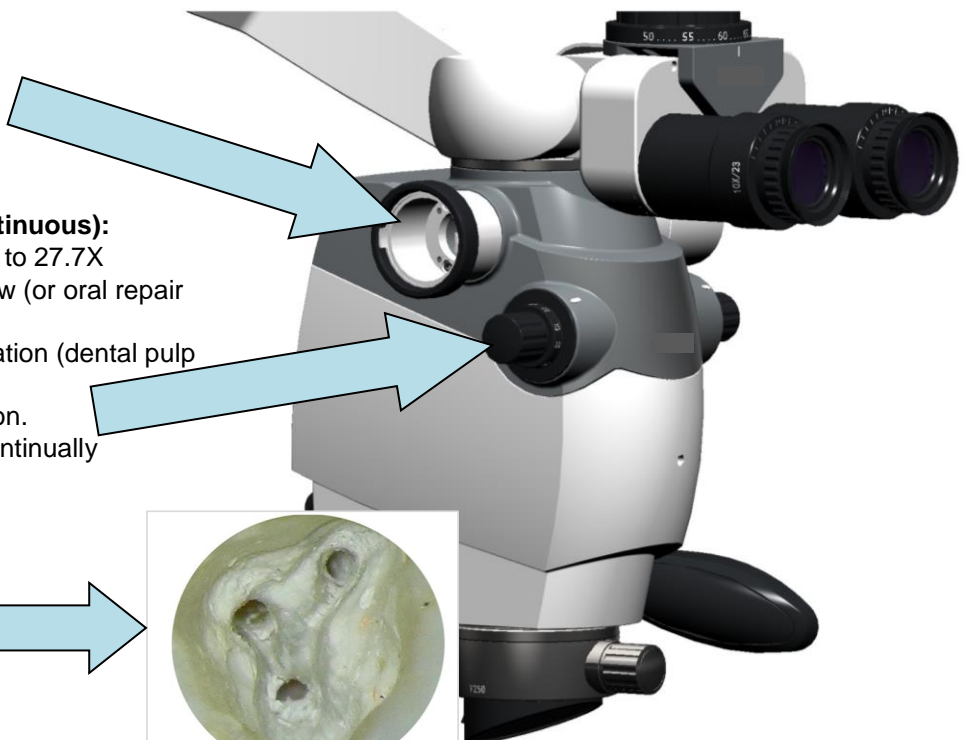


Built-in beam splitter:

To connect an assistant scope or a second camera....

1:8 high resolution zoom lens (continuous):

- Total magnification from 3.4X to 27.7X
- Low ratio for adjusting the view (or oral repair operation),
- Medium ratio for clinical operation (dental pulp operation),
- High magnification examination.
- From low to high switching continually



Ryeco Dental AM6000 Surgical Dental Microscope

Handgrips 360 ° rotatable:

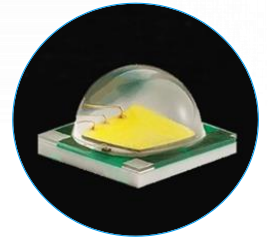
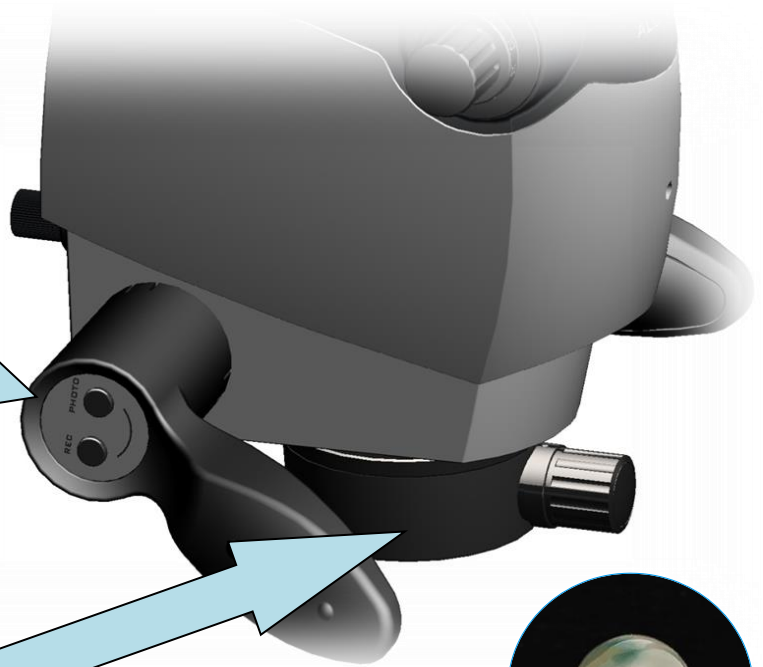
May be pulled out and rotate to any desired direction (very convenient for the Dentist)

Handling softly:

Ergonomic design like the shape of the hand

Sterilization:

The handgrips could be pulled out to be sterilized, no need to be covered by sleeves in use.



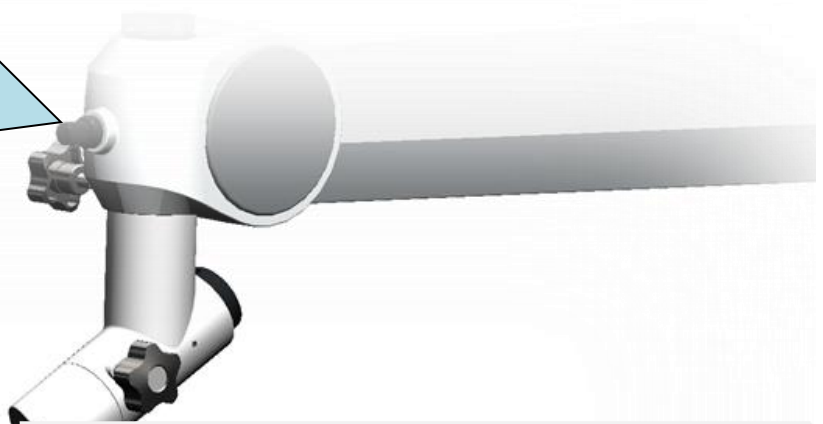
Six types of objective lenses:

- F200 objective lens
- F250 objective lens
- F300 objective lens
- F350 objective lens
- F400 objective lens
- F200~300 variable objective lens

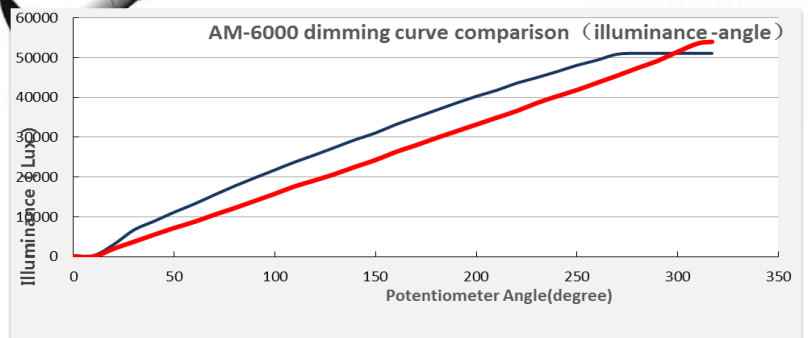
Excellent build in LED illuminating design:

- Heat management design to ensure the maximum life time of the LED lamp
- The life time of LED lamp is over 60,000 hours
- Daylight color temperature (close to the sunlight = 5700°K)
- Over 85% color rendering index, the color of the observed object is extremely realistic

Brightness adjustment knob



Patented Linear dimming:
Excellent dimming linearity keeps the illumination even at very low brightness.

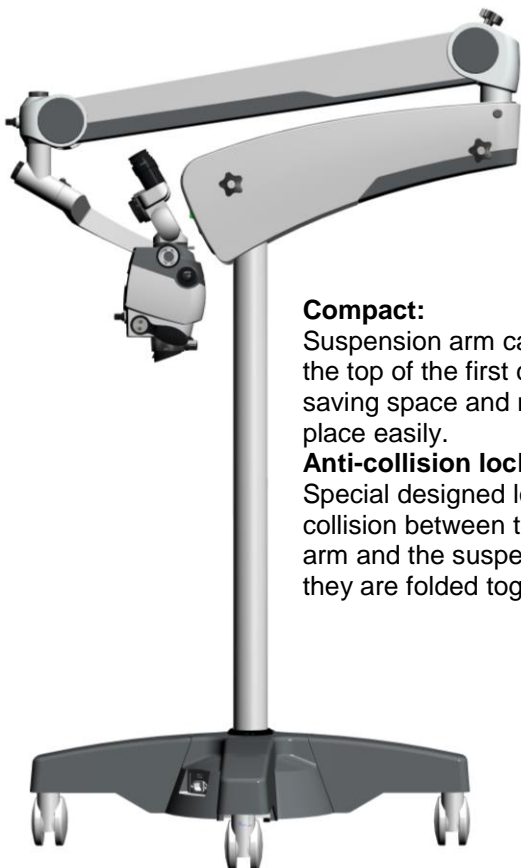
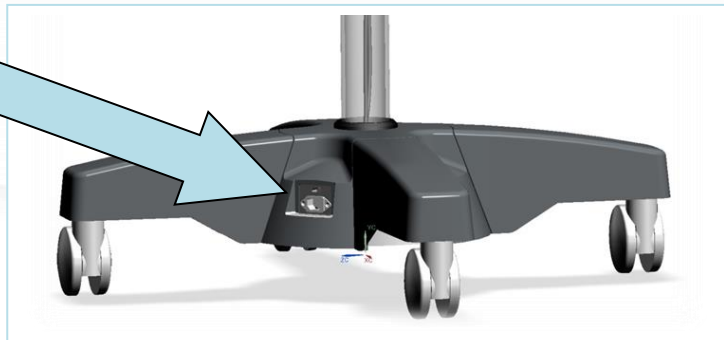


Ryeco Dental AM6000 Surgical Dental Microscope

German made air spring:

Very easy to lift up and down, better effect and long life air spring

- Easy and natural balance adjustment with the high end 950mm long suspension arm
- Friction and brake adjustment knob
- The cover of carrier arm made with environmentally friendly PC materials, provides better strength than ABS, ensures durability, prevents from aging and cracking problems,
- Mechanical parts of the entire microscope are mostly made of aircraft 6061 aluminum alloy materials
- Power cable and HDMI cable are integrated in the stand column and their socket is mounted the stand base.



Compact:

Suspension arm can be folded on the top of the first carrier arm for saving space and moving to any place easily.

Anti-collision locking pin:

Special designed lock to avoid collision between the first carrier arm and the suspension arm when they are folded together



Ryeco Dental AM6000 Surgical Dental Microscope

Description / Type		Ryeco AM6000
Ryeco AM6000 zoom stereo microscope	Eyepiece	10x/23 (or 12.5x/21)
	Field o view	10x = 23mm
	Zoom	Zoom 1:8
	Binocular	0 – 180° Ergo Head
	Pupillary distance	50mm – 75mm
	Lenses	Ergo-Vario Lens 250 mm Standard lenses : 200mm/ 300mm/ 350mm / 400mm
	Illumination	50'000 Lux
	Beam-Splitter	Secondary Build in Beam Splitter für 2. camera
	FHD Cam	Build in Full HD camera
Build in functions with the Ryeco Full HD camera	Sensor	1/2" SONY CMOPS Sensor (low noise CMOS Sensor)
	Resolution	HD 1080P 60 FPS (16:9)
	Build in memory / storage	32G SD memory (+ USB Flash Disk connector)
	Dat a format	Pictures: JPG // Video: MP4
	Wi-Fi	With external WI-FI function to transmit live images
	Video resolution	1080P
	Basic function	Freeze, take pictures, video recording in Full HD, auto exposure, white balance,, play back and cross curbe
	Image effects	Exposure values, brightness, gain, red gain, blue gain, saturation, contrast adjustment, and HDR
	Advanced functions	Vertical and horizontal flip, zoom in and out, AOI and image comparison
	System settings	Internal an external storage, automatic naming, show or hide scale, factory reset, vesion, (software in English only)
	PC	If needed with Windows WIN10
	Mobil phone client	Android or iPhone 6, 7, 8, or newer (august 2019)
Grösse / Fussabdruck	Max arm span	1700mm
	Hight min./ max.	750mm x 1550mm
	Roller stand base plate	640mm x 640mm
Optics:		
Eyepiece		Lenses oft eh Ryeco AM6000
		F200 / F250 / F300 / F350 / F400
10X (Ø23mm)	Total magnification	4x-32x / 3.2x-25.6x / 2.7x-21.3 x / 2.3x-18.3x / 2x-16x
	Field of view (Ø/mm)	60mm-7.5mm / 75mm-9.4mm / 89mm-11.3mm / 105mm-13.1mm / 120-15mm
	Depth of field (mm)	49mm-1.9mm / 60mm-2.3mm / 71mm-20.6mm / 82mm-3mm / 94mm-3.4mm

RYF AG
Showroom
Bettlachstrasse 2
CH-2540 Grenchen
Tel +41 32 654 21 00
Fax +41 32 654 21 09

RYF SA
Showroom, Sales Office
Route de Genève 9c
1291 Commugny
Tél +41 22 776 82 28
Fax +41 22 776 82 29

RYF AG (Zürich)
Sales Office
Bahnhofstrasse 17
8400 Winterthur
Tel +41 52 560 22 2
Fax +41 52 560 21

Ryeco Dental AM6000 Surgical Dental Microscope



One of the actual dentist In Switzerland from Ryf Ltd. using our new dental operation microscopes AM6000 in Geneva. www.ryfag.ch